

Recommended P.C.B. Layout(Component Side)
(PCB Board Tolerance±0.05)

SPECIFICATION

1.General Characteristics:

SIM Card Drawer Type 06P SMT 90° With Switch
H=3.0mm Row Pitch=23.2 Selective Gold Flash

2.Material&Finish:

- ① Base:LCP(UL94V-0),Black
- ② Data Contact:C5210,Gold Flash On Contact Area,Tin Plated On Solder Tails,Over Nickel
- ③ Spring:SWP
- ④ Push Rod:Stainless Steel
- ⑤ Roller:Stainless Steel
- ⑥ Toggle Lever:SUS304,Nickel Plated
- ⑦ Handle:PA6T(UL94V-0),Yellow
- ⑧ Switch Pin:C5210,Gold Flash On Contact Area, Tin Plated On Solder Tails,Over Nickel
- ⑨ Cover:PBT(UL94V-0),Black
- ⑩ Flake:C5210,Gold Plated Over All

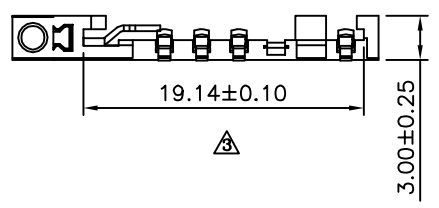
3.Electrical Characteristics:

Current Rating:0.5 Amp Max.
Dielectric Withstanding:500V AC For One Minute
Contact Resistance:30 Milliohms Max.
Insulation Resistance:1000 Megaohms Min. At DC 500V

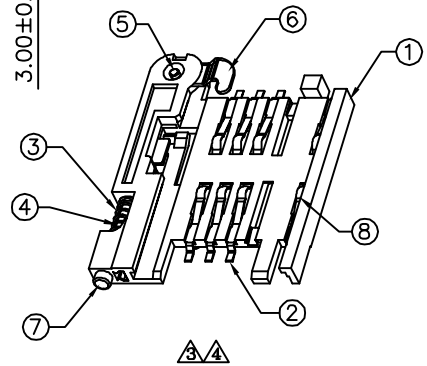
4.Environmental Characteristics:

Operation Temperature:-40°C~+85°C

5.RoHS Compliant



Pin No.	Name
C1	Vcc
C2	RST
C3	CLK
C4	RFU
C5	GND
C6	Vpp
C7	I/O
C8	RFU



Electric Function	Detect Switch
Without Card	Open
Card Inserted	Closed



Switch Operation Diagram

<https://www.sunrom.com/m/5514>

DRAWING No.		APPROVED BY		UNLESS OTHERWISE SPECIFIED TOLERANCES ARE .X ±0.30 .XX ±0.20 .XXX ±0.10 ANG. ±3°	④ A4	Modify Data	HZF	12/08/2015
5514		MEI			④ A3	Modify Data	HZF	03/11/2014
		HZF			④ A2	Modify Data	HZF	10/18/2011
		DRAWING BY		UNIT mm	④ A1	Modify Data	HZF	06/14/2011
		HAO			④ A0	NEW RELEASE	HZF	06/14/2009
SCALE	NONE	REV.	A4	NO.REV.	REVISIONS		CHK	DATE

