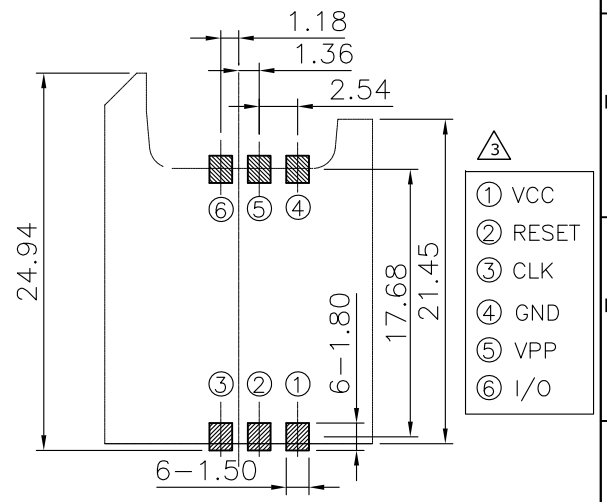
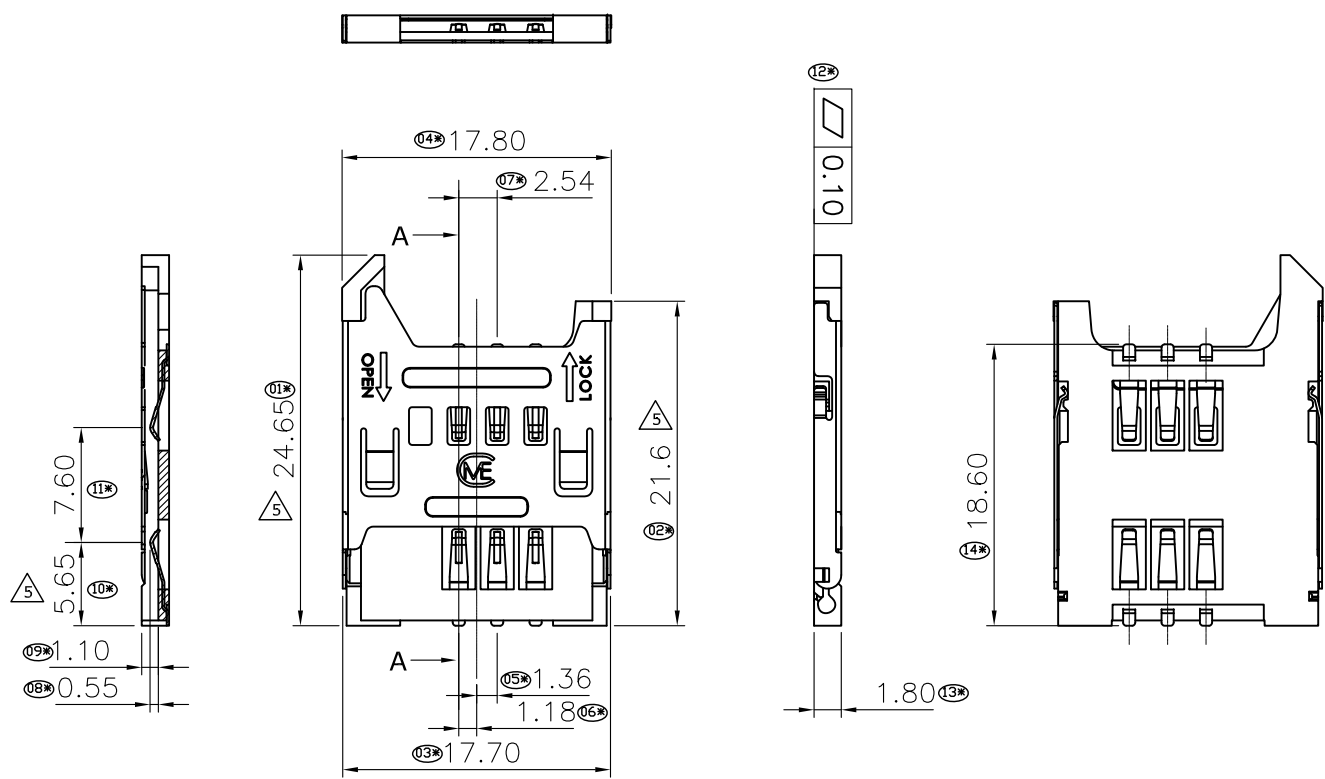


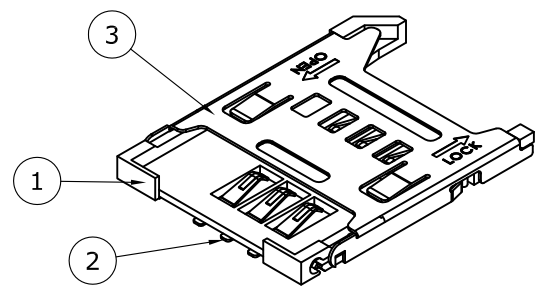
REV.	DESCRIPTION	DRAWN	DATE
3	Add pin out	Willis	2011/03/11
4	Revised to new frame	Willis	2012/08/03
5	Revised to new frame, Modify dims	Fros	2016/06/22

SPECIFICATION:

- 1.1 Current Rating: 1A per pin
- 1.2 Voltage Rating: 100V AC/DC
- 1.3 Contact Resistance: 30mΩ
- 1.4 Insulation Resistance: 1000MΩ
- 1.5 Dielectric Withstanding Voltage: 500VAC
- 1.6 Operating temperature range: -40°C~+85°C



Recommended Layout (top view)
General Tolerance: ±0.05mm

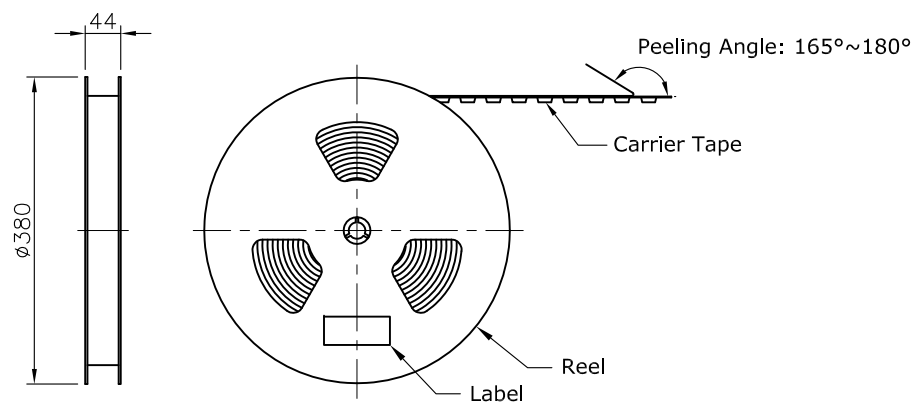
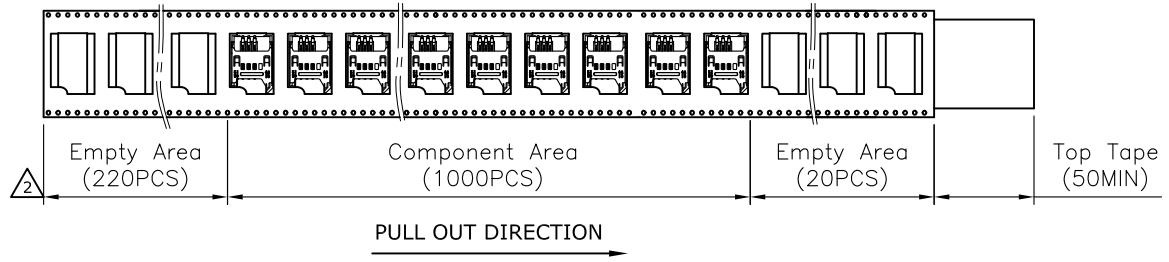


3	SHELL	Stainless Steel 0.2t	
2	CONTACT	Phosphor Bronze 0.15t, Gold plating over Nickel	
1	HOUSING	LCP, UL94V-0, Black	
NO. PART NAME		DESCRIPTION	
UNLESS OTHERWISE SPECIFIED TOLERANCE			
UNIT:	DECIMAL	LINEAR	ANGLES
	mm	X, X.X	±0.50 ±0.25 ±3°
		X, XX	±0.12 ±1°
DRAWN		Willis	2008/11/19
CHECKED		Angel	2008/11/19
APPROVED		Ken	2008/11/19
DRAWN NAME:		SIM Card Socket Hinge Type H=1.8 6Pin, w/o Peg, Gold Flash	
PRODUCT NO.		115G-AAAA-R	
SCALE	SHEET	SIZE	FILE NAME
2/1	1/1	A4	115G-AAAA-R_B_5



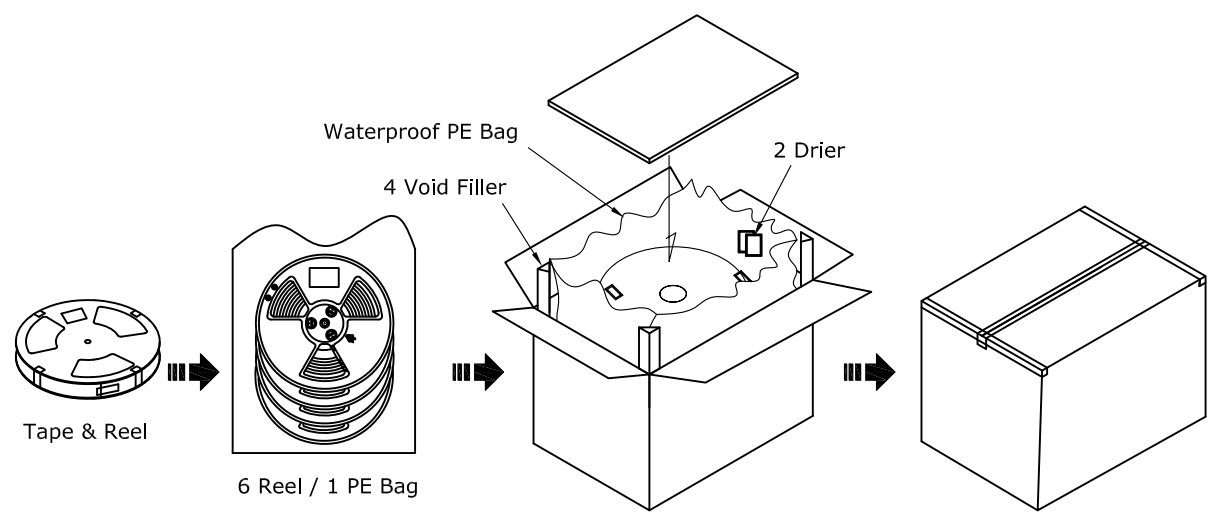
WWW.ATTEND.COM.TW


REV.	DESCRIPTION	DRAWN	DATE
1	INITIAL RELEASE	Willis	2012/08/03
2	Corrected	Tim	2016/09/13



PACKAGING SPECIFICATION:

1. MATERIAL
 - 1.1 Embossed Carrier Tape: PS Black
 - 1.2 Top Cover Tape: PET
10-70g(Peel Speed 300mm/Minute)
 - 1.3 Taping Reel: Plastic
2. PACKING
 - 2.1 Quantity:
1000Piece/Reel



UNLESS OTHERWISE SPECIFIED TOLERANCE					
UNIT:	DECIMAL	LINEAR	ANGLES		
mm	X.	±0.50	±5°	WWW.ATTEND.COM.TW	
	X.X	±0.25	±3°		
	X.XX	±0.12	±1°		
DRAWN	Willis	2012/08/03	DRAWN NAME:		
CHECKED	Angel	2012/08/03	SIM Card Socket Hinge Type H:1.8mm		
APPROVED	Ken	2012/08/03	PRODUCT NO.	115G-AAAA-R	
SCALE	N/A	SHEET	SIZE	FILE NAME	
		1/1	A4	115G-AAAA-R_D_2	