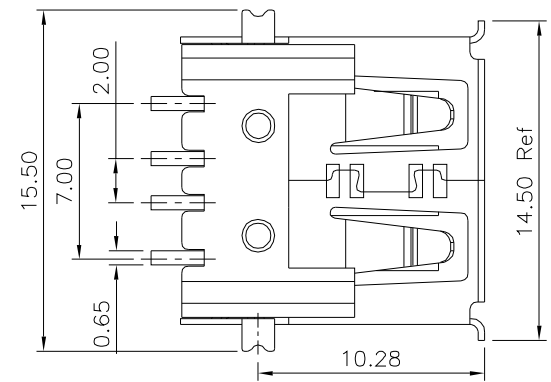
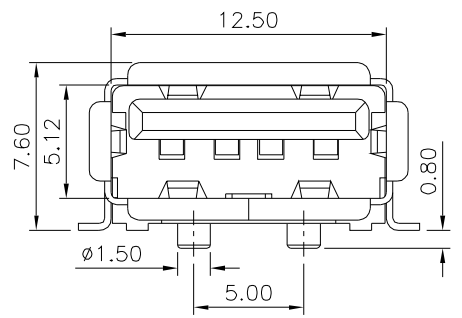
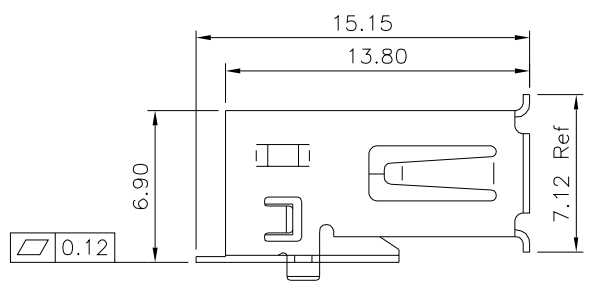


Recommended P.C.B. Layout

**SPECIFICATION**

Current Rating:1.5A  
 Voltage Rating:30V Max.  
 Withstanding Voltage:500V AC For 1 Minute  
 Contact Resistance:30 Milliohms Max.  
 Insulation Resistance:1000 Megaohms Min.  
 Temperature Range:-55°C~+85°C  
 Mating Force:35N Max.  
 Withdrawal Force:10N Min.  
 Durability:1500 Cycles Min.  
 Contact:Brass  
     Gold Flash On Contact Area,  
     Tin Plated On Solder Tails,Over Nickel  
 Insulator:LCP+30%G.F.(UL94V-0),Black  
 Shell:Brass,Nickel Plated Over All  
 RoHS Compliant



SUNROM.COM  
 USB A-Type Female PCB R/A SMD  
<https://www.sunrom.com/m/7184>

DRAWING No.		APPROVED BY		UNLESS OTHERWISE SPECIFIED TOLERANCES ARE
7184		MEI		
		CHECKED BY HZF		
SCALE		DRAWING BY		.X ±0.38 X. ±3*
NONE		CYP		.XX ±0.25 .X* ±2*
REV.		A0		.XXX ±0.13 .XX* ±1*
UNIT		mm		UNIT
REV.		A0		NO.REV.

△ A0	NEW RELEASE	HZF	03/09/2021
NO.REV.	REVISIONS	CHK	DATE