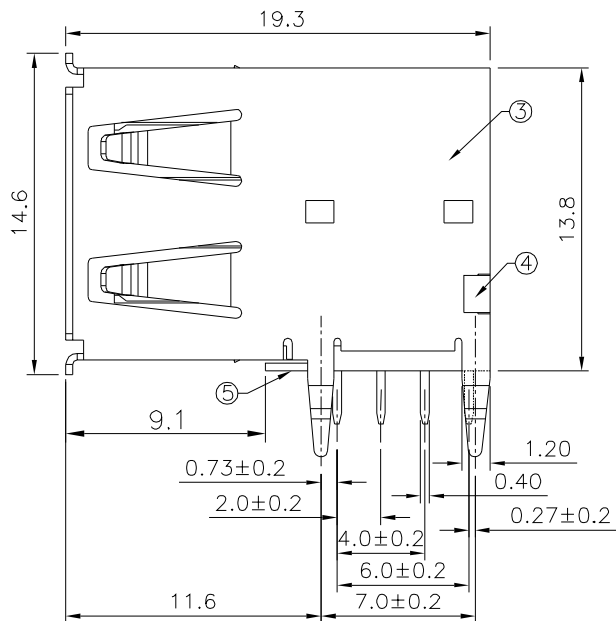
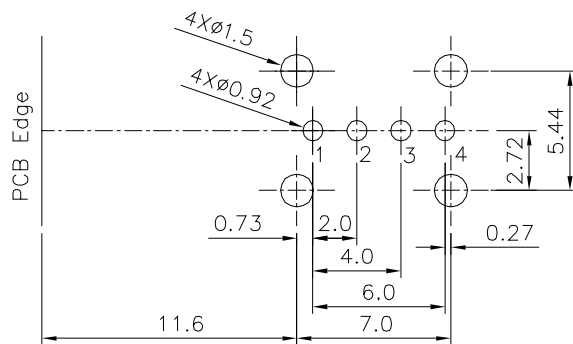


△



△



△ Recommended P.C.B. Layout(Bottom View)

△ SPECIFICATION

Rated Voltage And Current:1.5A At 250V AC Min.
 Dielectric Withstanding Voltage:
 750V AC RMS For 1 Minute(Rev. 1.1)
 Contact Resistance:30 Milliohms Max.
 Insulation Resistance:1000 Megaohms Min. At 500V DC
 Durability (Life Test):1500 Cycles
 RoHS Compliant

No.	Description	Q'ty	Material	
①	Housing	1	PBT+G.F.	k
②	Terminal	4	Phosphor Bronze	Gold Flash On Contact Area, Tin Plated On Solder Tails, Over Nickel
③	Shell	1	Brass	Nickel Plated
④	Rear Shell	1	SPCC	Nickel Plated
⑤	Bottom Cover	1	PBT+G.F.	

SUNROM.COM
 USB A-Type Female PCB R/A Vertical
<https://www.sunrom.com/m/7185>

DRAWING No.

7185

APPROVED BY

MEI

CHECKED BY

HZF

DRAWING BY

CYP

SCALE

NONE

REV.

A2

UNLESS OTHERWISE SPECIFIED TOLERANCES ARE
 △ X ±0.38
 .X ±0.25
 .XX ±0.13
 .XXX ±0.05

UNIT mm



NO.	REV.	REVISIONS	CHK	DATE
△	A2	Modify Data	HZF	03/15/2018
△	A1	Modify Data	HZF	03/09/2018
△	A0	NEW RELEASE		