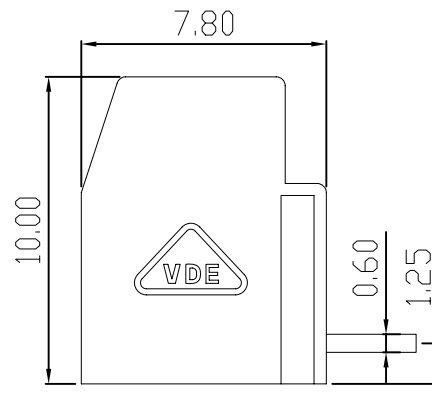
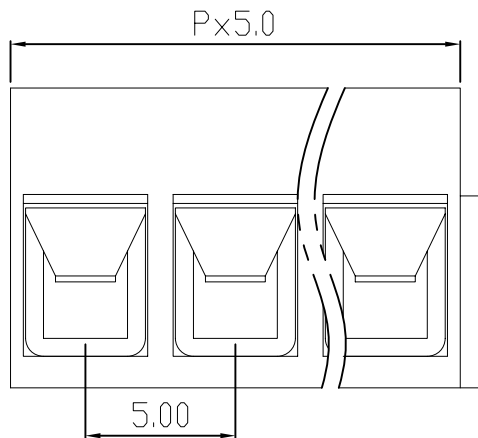
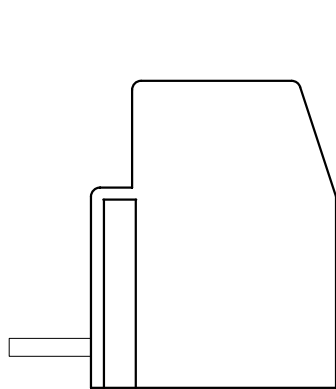
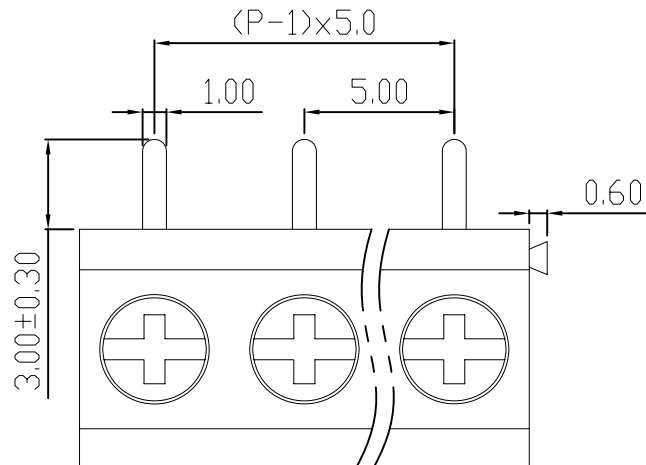
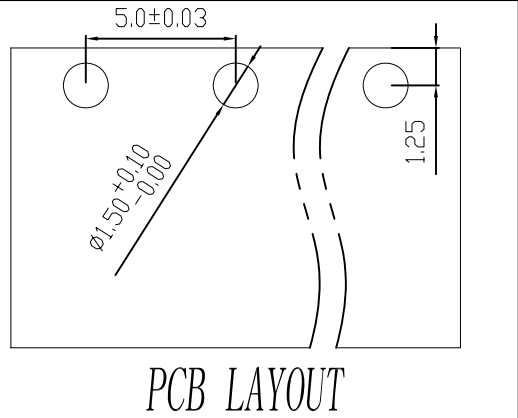


linear dimension(Tolerances Standard GB/T 14486-2008)



variable range	to 6	over 6	over 10	over 30	over 60	over 100	over 160	to 10	over 10	over 100
		to 10	to 30	to 60	to 100	to 160	to 100		to 100	
tolerance	±0.20	±0.30	±0.50	±0.70	±1.00	±1.30	±1.60	0.10	0.30	0.60



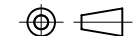
REVISION RECORD

REV.	DESCRIPTION	ECN No.	APPROVED	DATE
A			CLF	21.03.13

UL/CUL Technical Data			
Use Group	B	C	D
Rated Voltage [V]	250	-	300
Rated Current [A]	8	-	10
Wire Range Solid/Stranded [AWG]	26-14		
Withstanding Voltage	1500V/1Min		
IEC Technical Data			
Overtoltage Category	III	III	II
Contamination Class	3	2	2
Rated Voltage [V]	250	400	500
Rated Current [A]	18	18	18
Impulse withstand voltagea [KV]	4.0	4.0	4.0
Conductor cross section Solid/ flexible [mm²]	2.5		
Material			
Insulation Material	PA66		
Imflammability	UL94V-0		
Contactore Material	Copper alloy		
Contactive Coating	Tin Plated		
Other Data			
Pitch [mm]	5.0		
Poles [P]	2-24		
Stripping Length [mm]	6-7		
Screw Torque(Max) [N.m]	M2.5/0.4		
Operating temperatur [°C]	-40~+105		
Pin Dimensions [mm]	3.0		
PCB Hole Diameter [mm]	1.5		

DES.	LQQ	DATE	21.03.13	UNITS	mm	SIZE	A4	SCALE	1:1
CHK.	SY	DATE	21.03.13	R https://www.sunrom.com/m/7163 https://www.sunrom.com/m/7164					
APP.	CLF	DATE	21.03.13						

THIRD ANGLE PROJECTION



REV A

SUNROM.COM