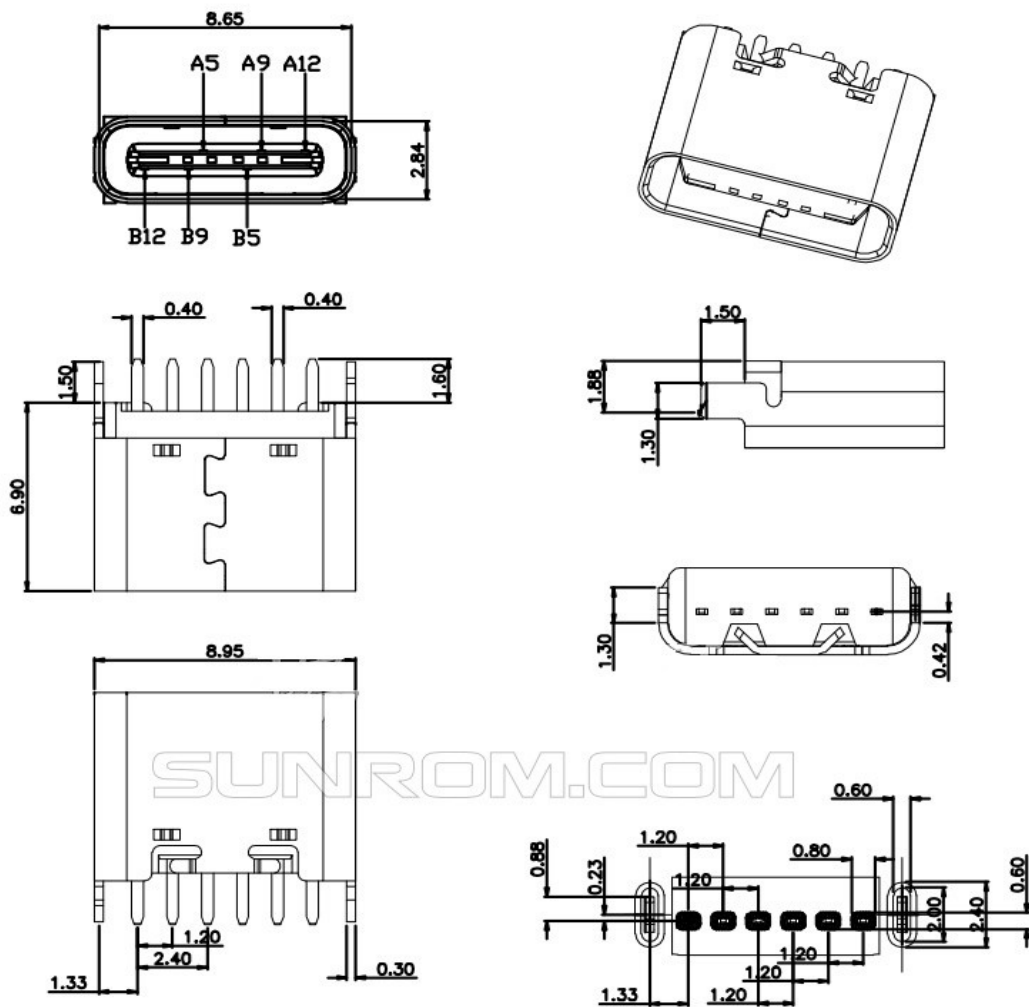


USB Type-C 3.1 Female 6pin for Power/Charging - Reversible - Vertical

Introduction

New USB Standard for USB Charging, Polarity Insert Reversible, Rounded, Vertical Mount on PCB

Dimensions



B12	GND
B9	VBUS
B5	CC2
A5	CC1
A9	VBUS
A12	GND
PIN	SIGNAL NAME

USB Type-C 3.1 Female 6pin for Power/Charging - Reversible - Vertical
<https://www.sunrom.com/m/7140>

Ordering Link

Sunrom Product Code: 7140

<https://www.sunrom.com/m/7140>

