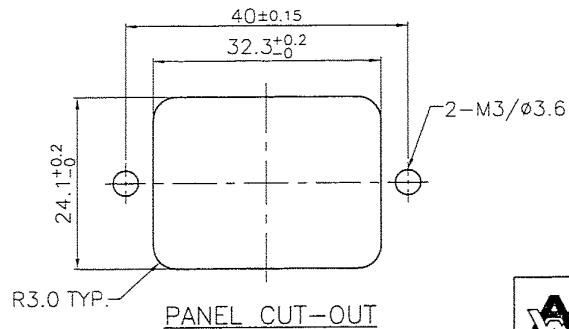
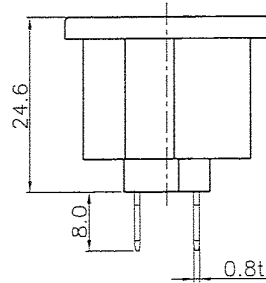
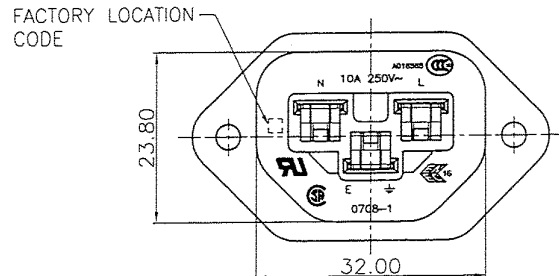
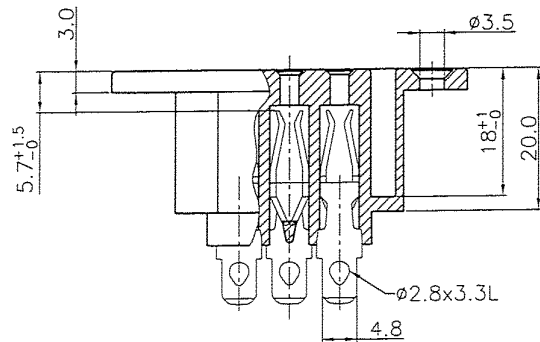
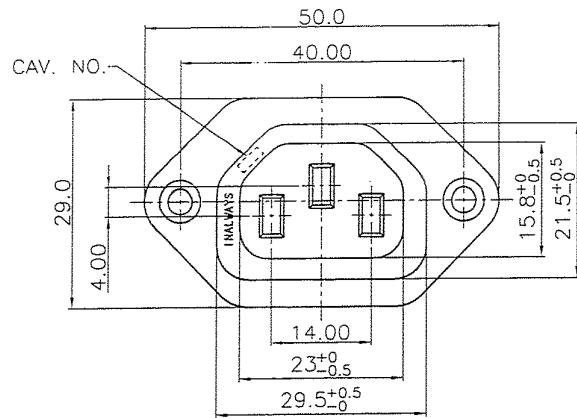


客戶用圖



SPECIFICATION

- A: MATERIAL:
- HOUSING: PBT WITH 30% GLASS FIBER UL 94V-0
 - TERMINAL: COPPER ALLOY, TIN-PLATED
- B: CHARACTERISTICS:
- RATING: 10A 250V~
 - INSULATION RESISTANCE: 100 MΩ MIN, AT 500V DC
 - ELECTRIC STRENGTH: AC 2,000V FOR ONE MINUTE
- C: APPROVALS:
- UL, CSA, ENEC & CCC
- D: ORDERING INFORMATION:

P/N	MOUNTING HOLE
0708-1-CQF	COUNTERSINK EAR

圖面管制中心

嚴禁 2013.6.07 複印

力瑋出圖章

發圖者: 李孟玲

力瑋實業股份有限公司 INALWAYS CORPORATION	PART NO.:	0708-1-CQF	NAME:	AC OUTLET 3P (SCREW-ON)			
	MATERIAL:	SEE ABOVE	SPEC.:	IEC 60320-2-2 SHEET F			
	TOLERANCE UNLESS OTHERWISE MARKED DIMENSION: .000 : ±0.1 .00 : ±0.2 .0 : ±0.3	ANGULAR: ±3'	APPROVED	CHECKED	DESIGNER	NOTE:	
REV	DATE	DOCUMENT	DESCRIPTION	UNIT	SCALE	SHEET	DOC NO.:
A/4				mm	1 : 1	1 of 1	S708-0001

2011-10-10

2011-10-10

2011-10-10

李孟玲

李孟玲

李孟玲

2011-10-10

2011-10-10

2011-10-10