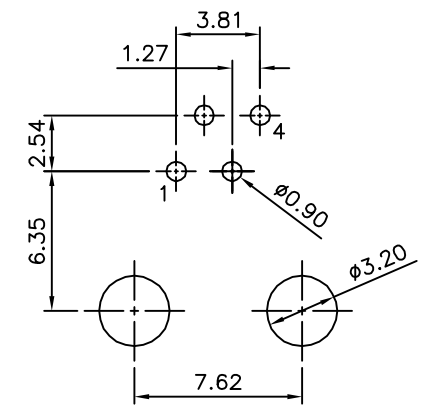
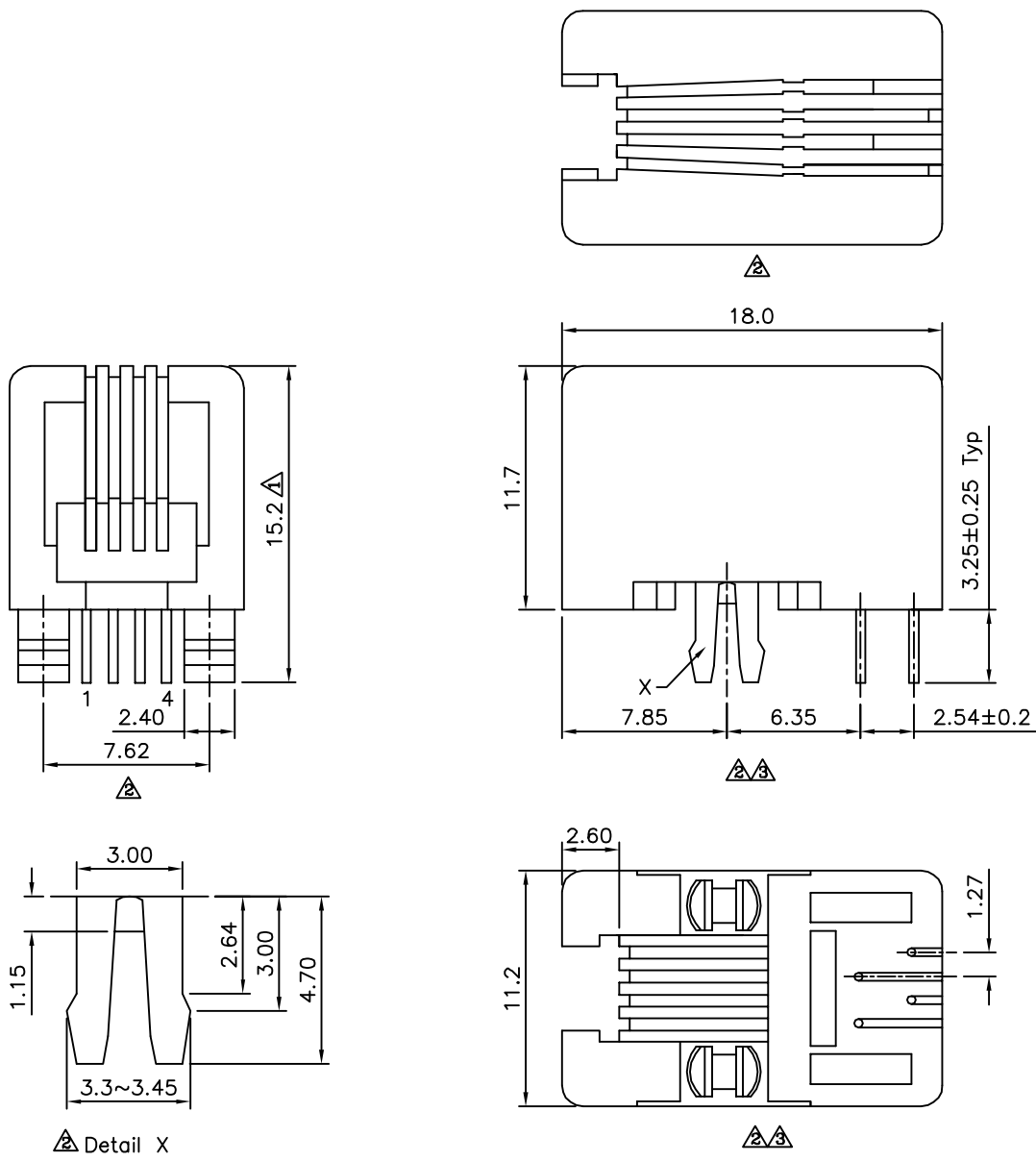
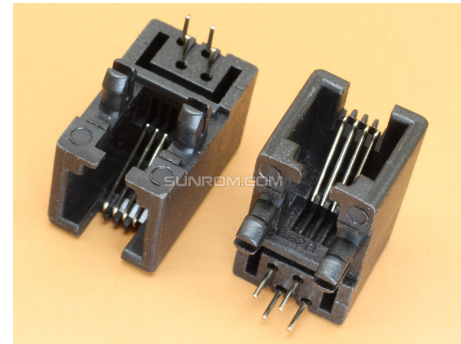


△ SPECIFICATION
 Housing: PBT+G.F.(UL94V-0), Black
 Contact: Phosphor Bronze $\varnothing 0.45\text{mm}$
 Gold Plated 6 μ Over All, Over Nickel
 Cavity Confirms To FCC Rules And
 Regulations Part 68, Subpart F.
 RoHS Compliant

RJ10 RJ9 4P4C Black Socket for Telephone Headset
<https://www.sunrom.com/m/6247>



| | | | | | | | | | | | | | | | | | | | | | | | | | | | | | | |
|-------------|------|-------------|-----|---|--|------------|------|-----------|-----|------|------|--|-------------|-----|------------|------|--|-------------|-----|------------|------|--|-------------|-----|------------|------|--|-------------|--|--|
| DRAWING No. | | APPROVED BY | | UNLESS OTHERWISE SPECIFIED TOLERANCES ARE .X ± 0.25 .XX ± 0.13 .XXX ± 0.05 ANG. $\pm 0.5^\circ$ | <table border="1"> <tr> <td>NO.</td> <td>REV.</td> <td>REVISIONS</td> <td>CHK</td> <td>DATE</td> </tr> <tr> <td>△ A3</td> <td></td> <td>Modify Data</td> <td>HZF</td> <td>10/29/2012</td> </tr> <tr> <td>△ A2</td> <td></td> <td>Modify Data</td> <td>HZF</td> <td>08/05/2010</td> </tr> <tr> <td>△ A1</td> <td></td> <td>Change Dim.</td> <td>MEI</td> <td>2003/04/22</td> </tr> <tr> <td>△ A0</td> <td></td> <td>NEW RELEASE</td> <td></td> <td></td> </tr> </table> | NO. | REV. | REVISIONS | CHK | DATE | △ A3 | | Modify Data | HZF | 10/29/2012 | △ A2 | | Modify Data | HZF | 08/05/2010 | △ A1 | | Change Dim. | MEI | 2003/04/22 | △ A0 | | NEW RELEASE | | |
| NO. | REV. | REVISIONS | CHK | | | DATE | | | | | | | | | | | | | | | | | | | | | | | | |
| △ A3 | | Modify Data | HZF | | | 10/29/2012 | | | | | | | | | | | | | | | | | | | | | | | | |
| △ A2 | | Modify Data | HZF | | | 08/05/2010 | | | | | | | | | | | | | | | | | | | | | | | | |
| △ A1 | | Change Dim. | MEI | 2003/04/22 | | | | | | | | | | | | | | | | | | | | | | | | | | |
| △ A0 | | NEW RELEASE | | | | | | | | | | | | | | | | | | | | | | | | | | | | |
| 04885 | | MEI | | | | | | | | | | | | | | | | | | | | | | | | | | | | |
| | | HZF | | | | | | | | | | | | | | | | | | | | | | | | | | | | |
| | | SONG | | | | | | | | | | | | | | | | | | | | | | | | | | | | |
| SCALE | NONE | REV. | A3 | UNIT | mm | | | | | | | | | | | | | | | | | | | | | | | | | |
| | | | | | | | | | | | | | | | | | | | | | | | | | | | | | | |