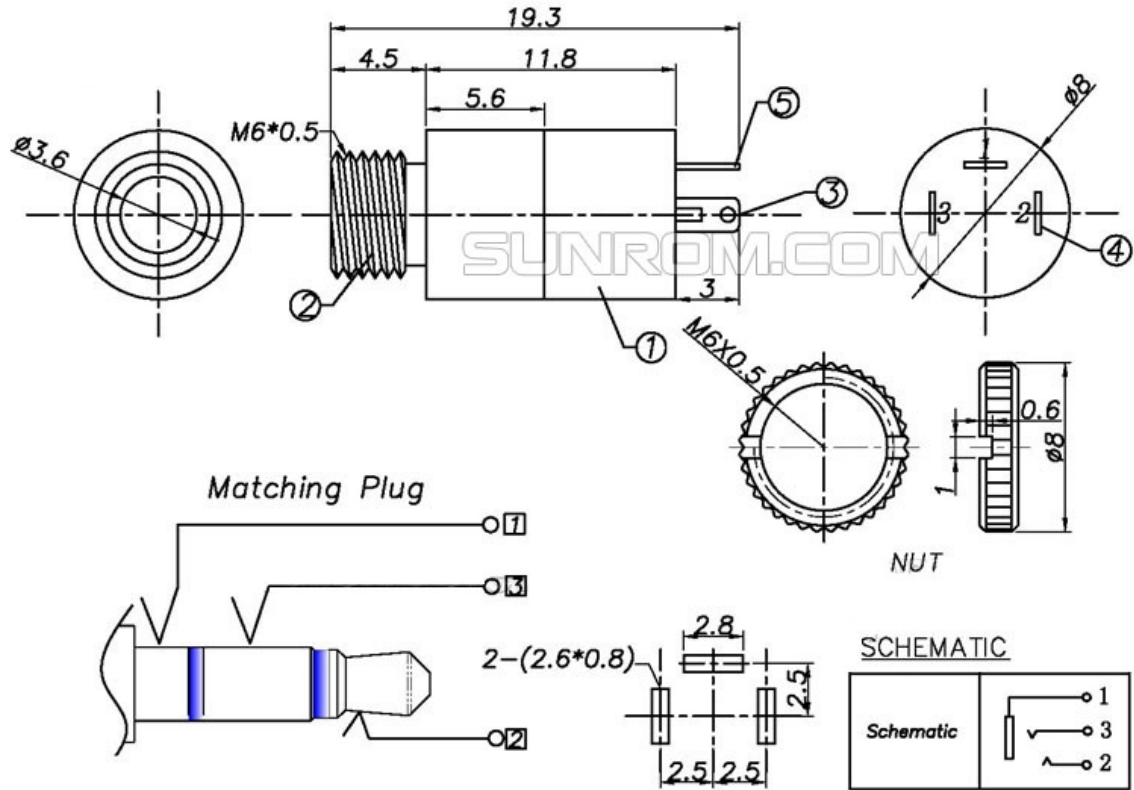


## STEREO SOCKET - 3.5MM - PANEL MOUNT

Panel Mount Audio Connector

### DIMENSIONS



⑤	Earth terminal	1	Phosphor bronze	
④	Tip spring	1	Phosphor bronze	
③	Ring spring	1	Brass	
②	Bushing	1	Brass	
①	Housing	1	PBT	
NO.	DESCRIPTION	QTY	MATERIAL	PLATING
UNIT: MM	TYPE:	MODEL NO:	PAPER NO: A4	PAGE 1 OF 1
	PHONE JACK	5545	TOLERANCE	ANGLES
		SUNROM.COM	±0.2	±2'
			SCALE	VER
			FULL	1

### SPECIFICATIONS

Product Name	Stereo Socket Panel Mount
Power Rating	1A @ 30VDC
Contact Resistance	< 0.03 ohms
Insulation Resistance	100 M Ohms
Operating Temperature	-40 to +55 deg C
Withstanding Voltage	AC 500V for 1 minute

### ORDERING DETAILS

Sunrom Part#	Ordering Page
5545	<a href="http://www.sunrom.com/m/5545">http://www.sunrom.com/m/5545</a>