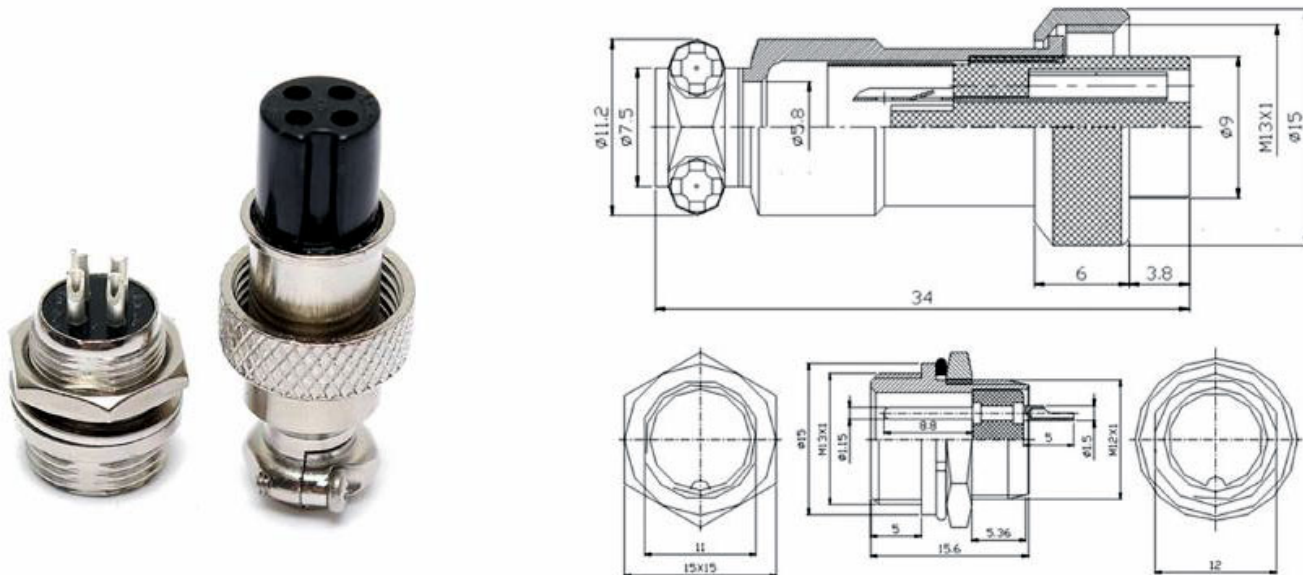


GX12-2/3/4/5/6 AVIATION PLUG MALE AND FEMALE PIN CONNECTOR CIRCULAR CONNECTORS SOCKET PLUG DIAMETER 12MM MINI METAL ROUND SHELL CONNECTOR

GX Aviation Connector was first applied to aerospace area for vibration and harsh environment. With technological innovation and costs continuing to fall, it has started to be used in civilian areas, such as CCTV security system, rear view camera, vision system, communications, etc.

DIMENSIONS



SPECIFICATIONS

Coupling	Threaded Coupling		Termination	Solder	
Shell Material	Zinc Alloy with Nickel plated		Mating Cycle	500 Times	
Insert Material	Bakelite		Temperature Range	-20°C ~ +85°C	
Contact Material	Copper (Silver plated/Gold)		Cable Diameter	≤ $\Phi 5.0\text{mm}$	
			Protection Degree	IP55	
Core Number	2 Core	3 Core	4 Core	5 Core	6 Core
Contact Arrangement					
Contact Diameter, Number	$\Phi 1.2*2$	$\Phi 1.2*3$	$\Phi 1.2*4$	$\Phi 1.2*5$	$\Phi 1.2*6$
Rated Current(A)	5	5	5	5	5
Working Voltage (AC,V,RMS)	250	250	250	250	250

ORDERING DETAILS

Sunrom Part#	Pins	Ordering Page
5662	2	http://www.sunrom.com/m/5662
5663	3	http://www.sunrom.com/m/5663
5664	4	http://www.sunrom.com/m/5664
5665	5	http://www.sunrom.com/m/5665
5666	6	http://www.sunrom.com/m/5666