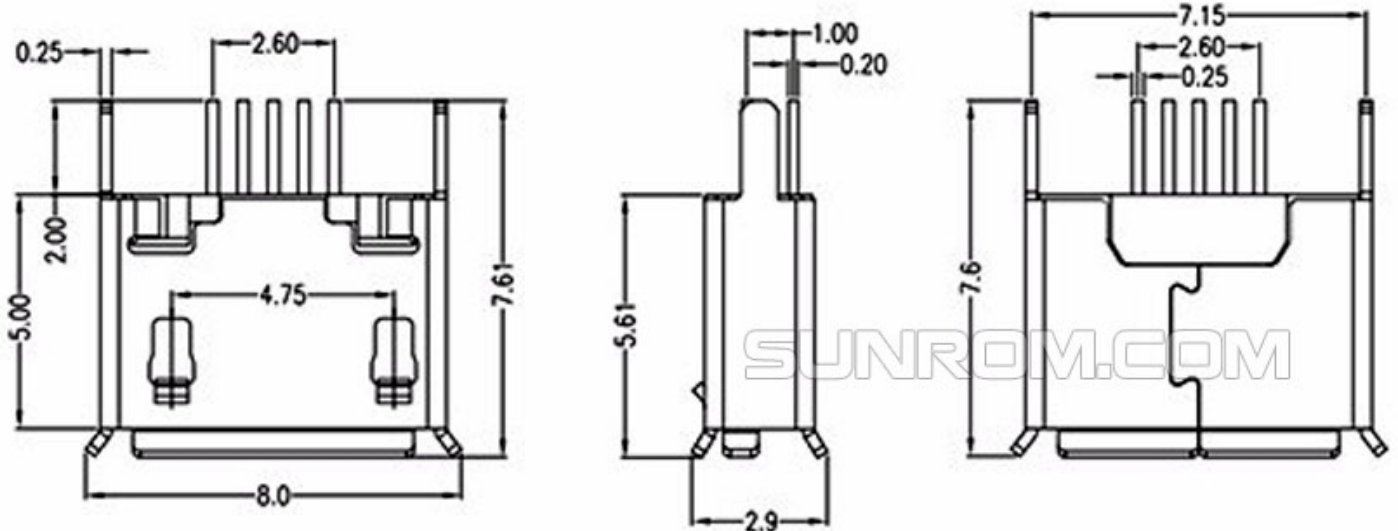


MICRO USB CONNECTOR - B FEMALE - 5 PIN SMD - VERTICAL MOUNTING

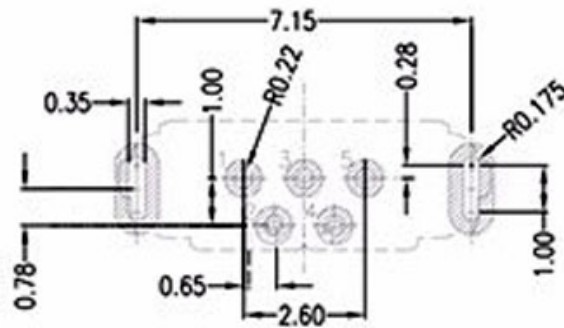
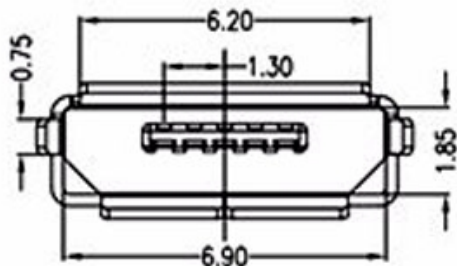
New standard on mobiles phones and chargers for USB communication and power.



DIMENSIONS



Micro USB Connector - B Female - 5 Pin SMD - Vertical Mounting



RECOMMENDED PCB LAYOUT

SPECIFICATIONS

1.Material:

- 1.1 Housing: High temperature thermoplastic with g.f,UL94v-0
- 1.2 Contact: copper alloy,t=0.15mm
- 1.3 Shell:SUS201,t=0.25mm

2.Specification:

- 2.1 Current rating: 1 A Max.
- 2.2 Dielectric withstanding voltage: 100 V(ac) for 1 min.
- 2.3 Contact resistance: 30 M Ω Max.
- 2.4 Insulation resistance: 100 M Ω Min.
- 2.5 Total mating force: 3.57 Kgf Max.
- 2.6 Total unmating force: 1.0 Kgf Min
- 2.7 Temperature range: -30°C~80°C

ORDERING DETAILS

Sunrom Part#	Ordering Page
5489	http://www.sunrom.com/m/5489