

FUSE HOLDER WITH TRANSPARENT COVER FOR 5X20MM FUSES

PCB Mount, Protective Transparent Cover, Firm Grips.

SPECIFICATIONS

Product Name	Fuse Holder with Cover
Fuse Link	5x20mm
Mounting	P.C.B.
Rated Current	6.3A
Rated Voltage	250V AC
Rated Power Acceptance	1.6W
Housing	Thermoplastic UL 94 V1
Shocksafe category	PC1
Degree of Protection	IP00
Contact Resistance	< 5 mOhm

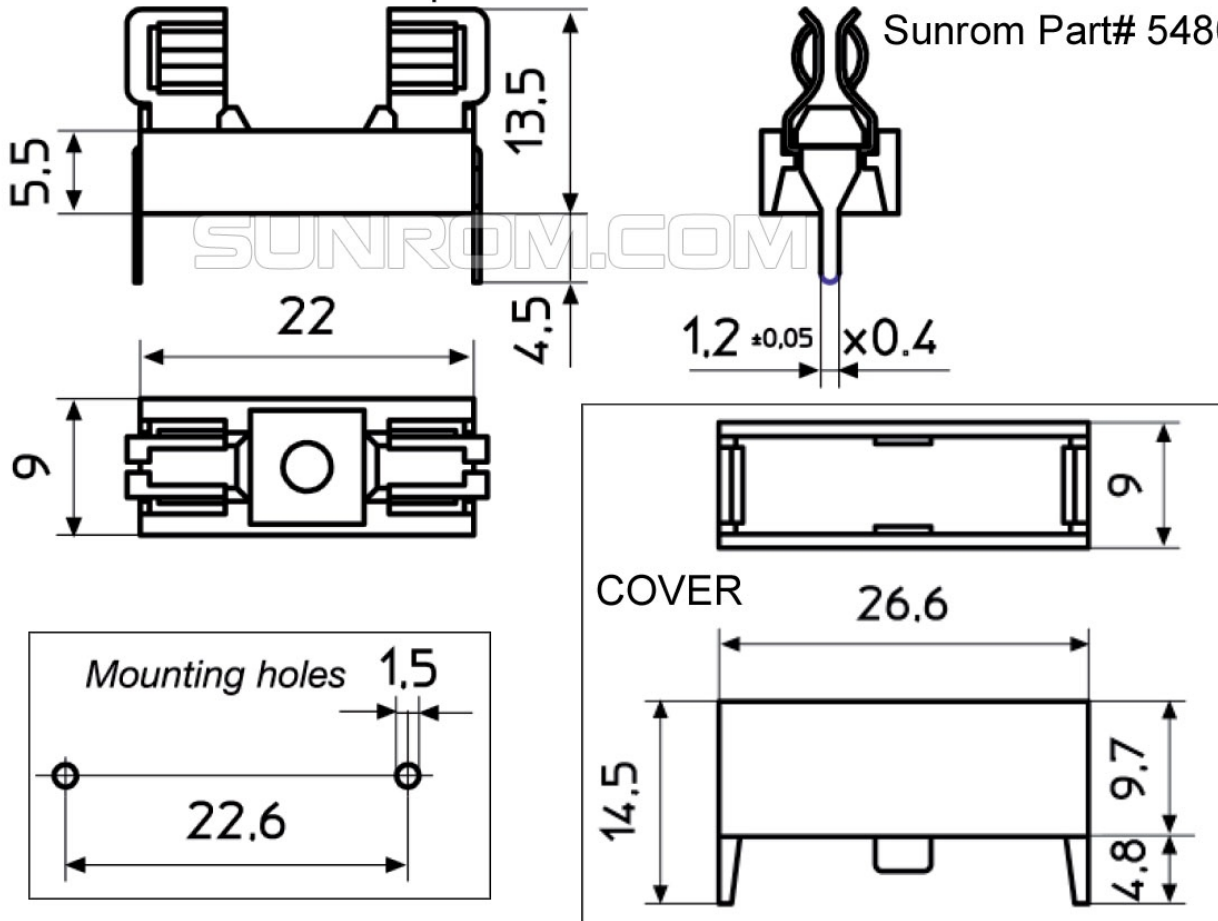
ORDERING DETAILS

Sunrom Part#	Ordering Page
5480	http://www.sunrom.com/m/5480



DIMENSIONS

Fuse Holder with Transparent Cover for 5x20mm Fuses PCB Mount
Sunrom Part# 5480



The maximum power dissipation (self-heating) of the fuse used with the fuse holder. Also called the Rated Power Acceptance.

