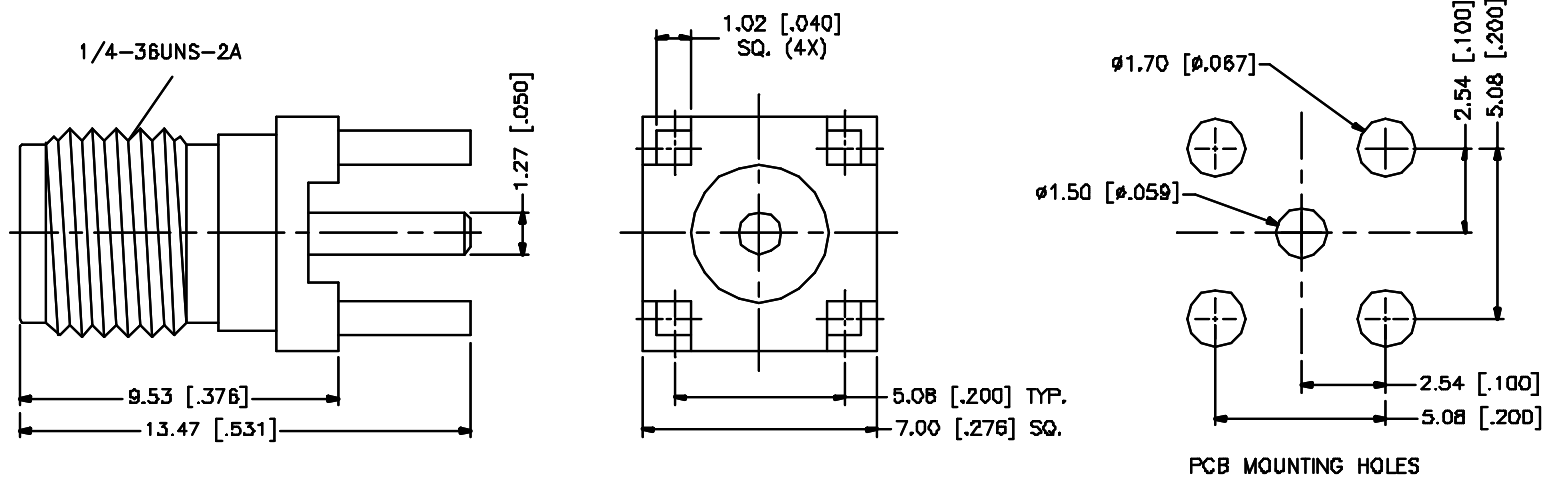


REV.	DATE	DESCRIPTION
A	04/31/03	UPDATE DRAWING FORMAT
B	11/29/04	MODIFY FLANGE TO 7.0mm SQUARE



REV.	DESCRIPTION	MATERIAL	FINISH	QTY	APPROVALS	DATE	Amphenol Connex			
B							PART DESCRIPTION SMA P.C.B JACK (EXTENDED LEGS)			
7										
6							DWG. NO. 132134.DWG			
5	RING	BRASS	GOLD	1			REV. B			
4	INSULATOR	TEFLON	NATURAL	1			SIZE A			
3	CONTACT PIN	BER. COPPER	GOLD	1			SCALE NA			
2	INSULATOR	TEFLON	NATURAL	1						
1	BODY	BRASS	GOLD	1						
<small>UNLESS OTHERWISE SPECIFIED DIMENSIONS ARE IN MILLIMETERS. DIMENSIONS IN [] ARE IN INCHES AND FOR CUSTOMER REFERENCE ONLY.</small> <small>UNLESS OTHERWISE SPECIFIED TOLERANCES FOR MILLIMETERS ARE:</small> 0.5 - 8mm ± 0.20mm 8 - 30mm ± 0.40mm 30 - 120mm ± 0.50mm <small>UNLESS OTHERWISE SPECIFIED TOLERANCES FOR INCHES ARE:</small> .020 - .315 = ± 0.007" .315 - 1.180 = ± 0.015" 1.180 - 4.724 = ± 0.020" DO NOT SCALE DRAWING					DRAWN G.R.S. CHECKED ISSUED SHEET 1 OF 1 CAD FILE C:/132/13134.DWG	11/29/04				