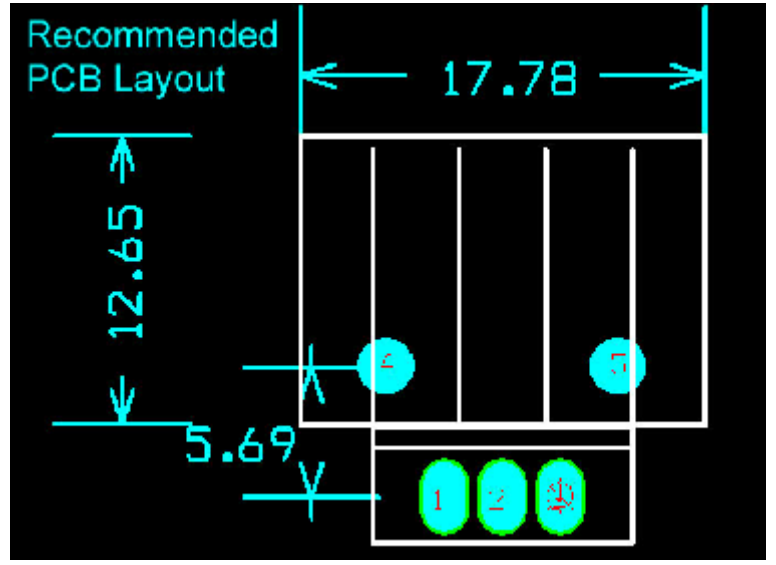
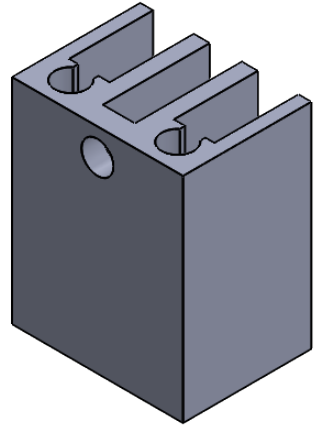
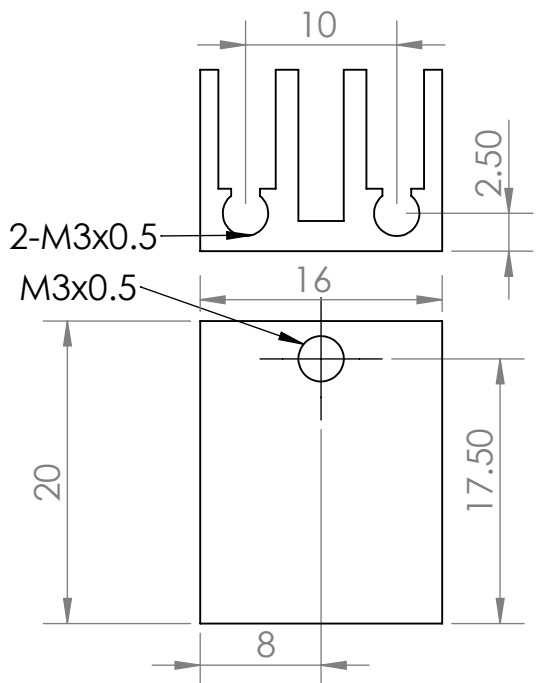


6 5 4 3 2 1

D



D

C

C

B

B

A

A

UNLESS OTHERWISE SPECIFIED: DIMENSIONS ARE IN MILLIMETERS SURFACE FINISH: TOLERANCES: LINEAR: ANGULAR:				FINISH:		DEBURR AND BREAK SHARP EDGES		DO NOT SCALE DRAWING		REVISION	
Sunrom Electronics/Technologies								TITLE: TO-220 Heatsink https://www.sunrom.com/m/3741			
DRAWN				NAME		SIGNATURE		DATE		DWG NO. 3741	
CHK'D										A4	
APPV'D										SCALE:2:1	
MFG										SHEET 1 OF 1	
Q.A						MATERIAL:					
						WEIGHT:					

6 5 4 3 2 1