

USB-TTL UART Module - FTDI FT230XS

Sunrom Part#
1451

Communicate your PC with microcontroller easily. Direct 5V/3V level UART(RX/TX) pins, Creates virtual serial COM port on PC

User's
Manual

Doc Version: 1
8-Feb-17

A quality product, proudly made in India by

SUNROM Electronics

<http://www.sunrom.com/m/1451>

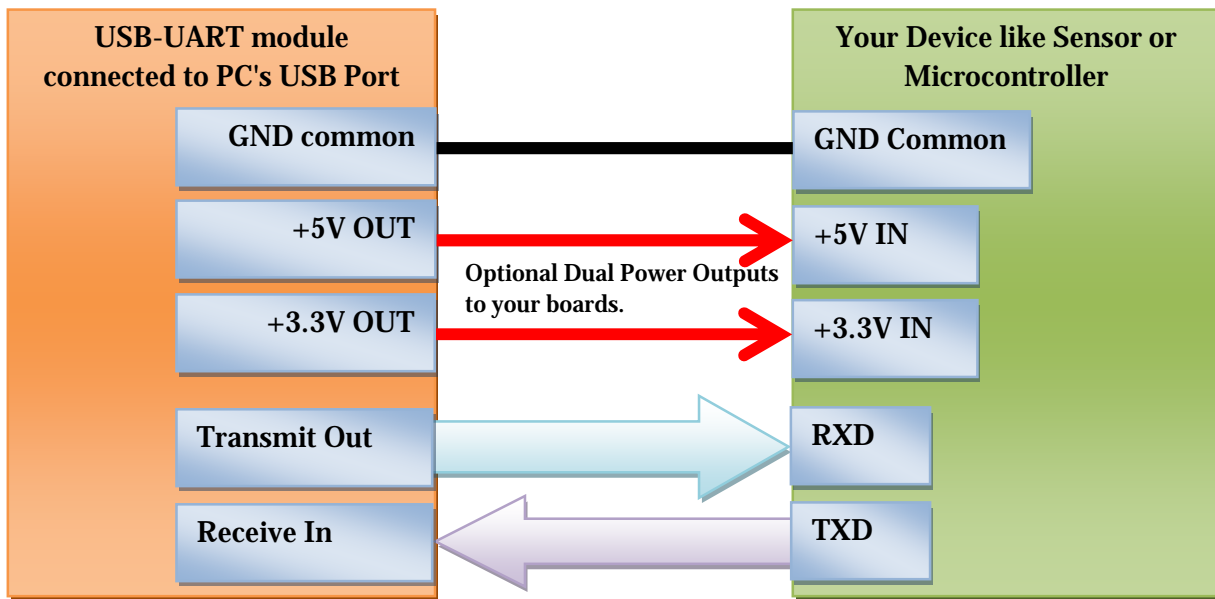
Table of Contents

Introduction.....	3
Typical Application.....	3
Features	3
Working	4
Module Pin Details.....	5
Support	6
Disclaimer	6

Introduction

FT230XS chip from FTDI is a single chip USB to UART bridge IC which replaces old FT232RL for basic applications. It requires minimal external components. FT230XS can be used to migrate legacy serial port based devices to USB. Hobbyists can use it as a powerful tool to make all kinds of PC interfaced projects. This module help all those who are comfortable with RS232/Serial Communication protocol, to build USB devices very easily.

Typical Application

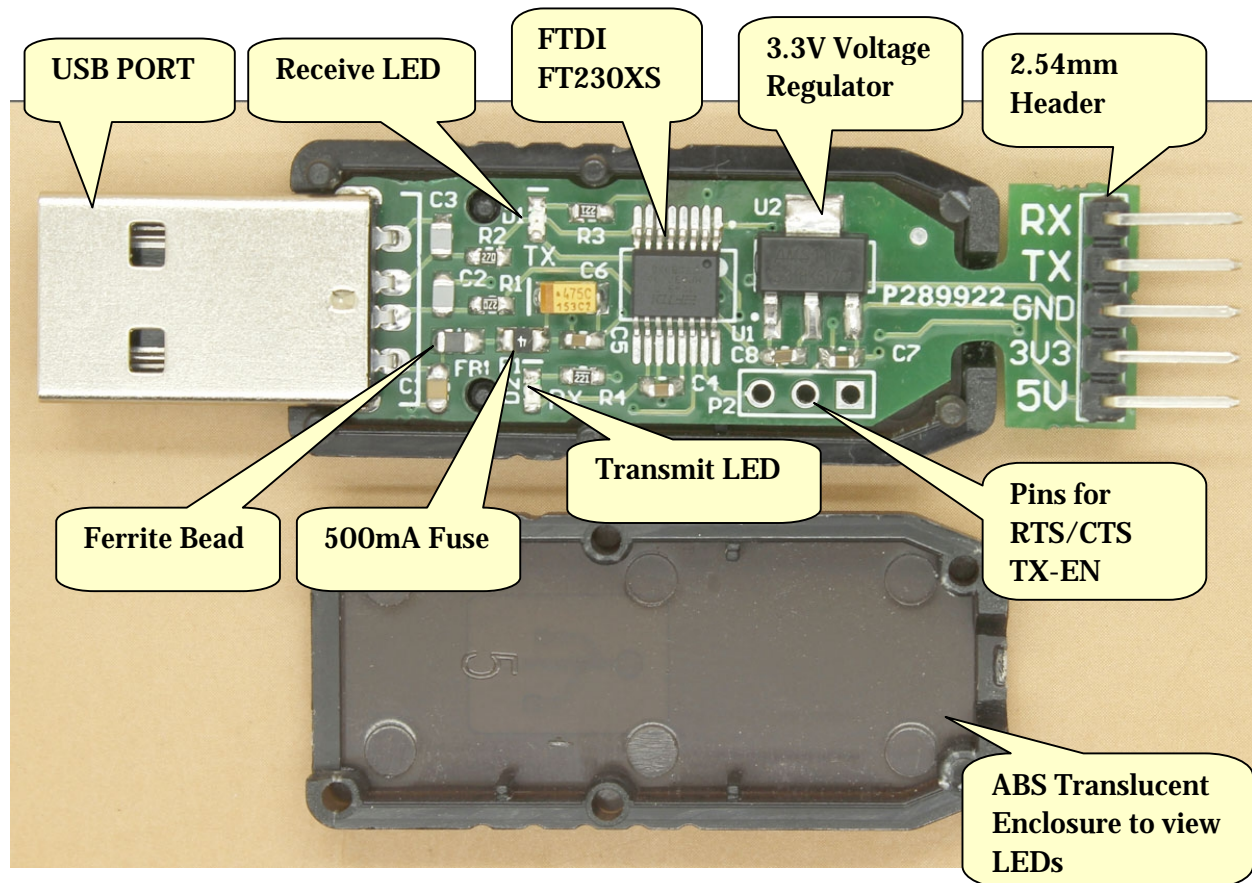


Features

- Reliable and Sturdy operation with industry proven USB 2.0 High Speed FTDI chipset
- USB Driver Works across various Operating Systems
- Standard UART interface, TTL(3-5V) logic level connects directly to low voltage boards
- Bidirectional UART serial data transfer at various baud rates
- Easy to use, Works out of the box without any configuration
- Transparent to microcontroller, No special programming or configuration required.
- Built in dual color LED indication for Transmit and Receive
- Dual output voltage 5V and 3.3V (On Board 3.3V voltage regulator) to power external boards & sensors
- Small size, easier mounting
- Output header is standard 2.54mm (.1")
- Ferrite Bead built in for noise immunity
- Built in 500mA fuse (PPTC Auto resettable fuse) for over current & short circuit protection

Working

This is an USB 2.0 to TTL UART Converter module which is based on FT230XS by FTDI. This module can be used with Laptop's which don't have standard serial port. This module creates a virtual COM port using USB on your computer which can support various standard Baud Rates for serial communication. You just need to install the driver using a setup file which automatically installs correct driver files for Windows XP/Vista/ 7/8/10+/Linux/Max. After driver installation, plug the module into any USB port of your PC. Finally a new COM port is made available to the PC. The feature which makes it more convenient is the TTL level data i/o. So you don't need to make a RS232 to TTL converter using chips like MAX232. The Rx and Tx pin can be connected directly to the MCUs pins (3V or 5v I/O).



Module Pin Details

Pin	Details
GND	Common Board Ground
+5V	Regulated positive power output 5V DC to power your boards (Not required if you are using external power to power your boards)
+3V3	Regulated positive power output 3.3V DC to power your boards (Not required if you are using external power to power your boards)
TX	Transmit Output - UART TTL level - Usually connects to RXD pin of microcontroller/sensors
RX	Receive Input - UART TTL level - Usually connects to TXD pin of microcontroller/sensors

Support

Sunrom Electronics offers free technical support (www.sunrom.com/contact) for customers, until the end of the product's lifetime, so if something goes wrong, we're ready and willing to help!

Technical Support is available by email only and scope is limited to problem faced during use of the use of product and does not cover end user programming and hardware troubleshooting.

Each product passes through strict quality checks before it reaches you. So if something is not working out right, the first thing to doubt is the connections or programming of your hardware.

Disclaimer

Sunrom Electronics assumes no responsibility or liability for any errors or inaccuracies that may appear in the present document. Specification and information contained in this document are subject to change at any time without notice.

Copyright © 2017 Sunrom Electronics. All rights reserved.