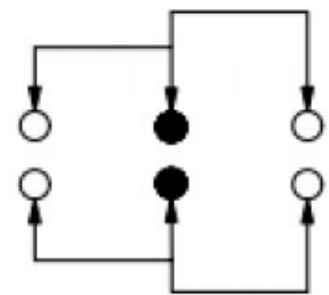
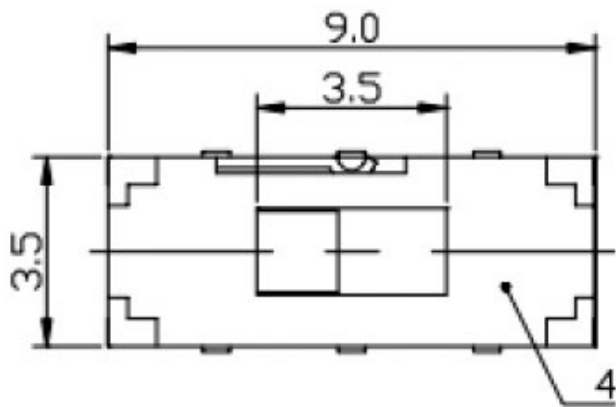


SLIDE SWITCH THROUGH HOLE 2P2T - 6 PINS

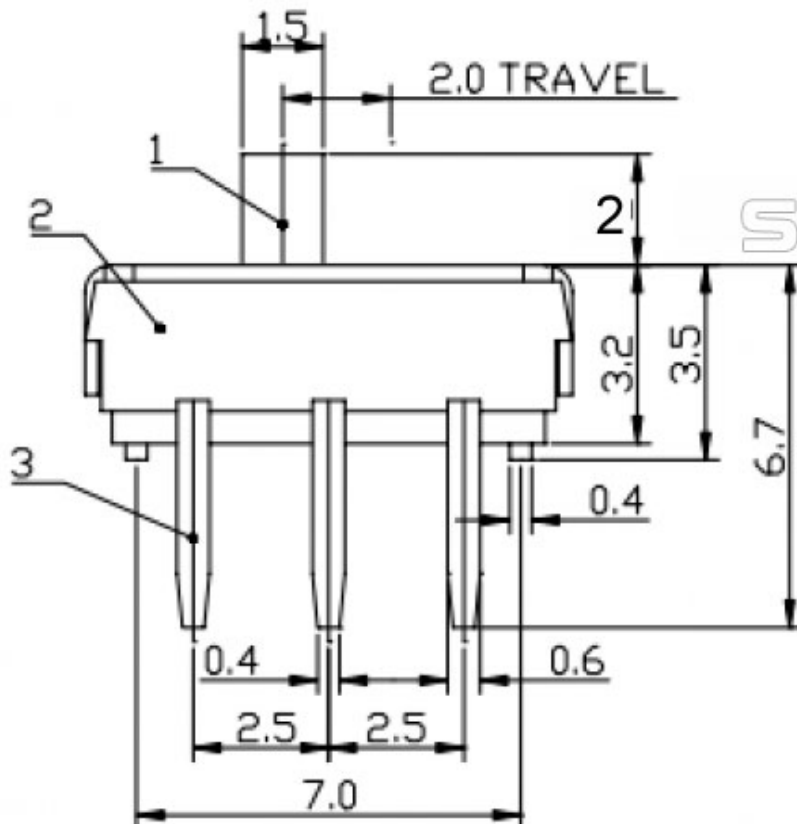
PCB Mountable Slide Switch. Double Pole, Double Throw = DPDT

This switch can be on in both positions, switching on a separate device in each case. It is often called a changeover switch. For example, a DPDT switch can be used to switch on a red lamp in one position and a green lamp in the other position. A DPDT slide switch may be used as a simple on-off switch by connecting to COM(3-4) and one of the A(1-2) or B(5-6) terminals shown in the diagram. A and B are interchangeable so switches are usually not labeled.

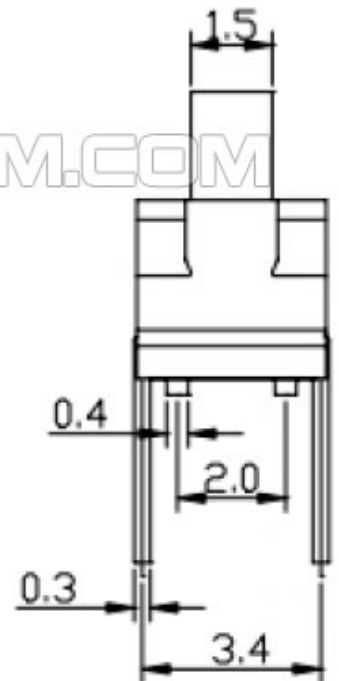
DIMENSIONS



SCHEMATIC



SUNROM.COM



SPECIFICATIONS

Product Name	Slide Switch
Contact	6 pins
Position	2
Type	2P2T - DPDT - Double Pole Double Throw
Rating	DC 50V 0.3A
Contact Resistance	0.03 ohms
Insulation Resistance	100M
Dielectric Strength	AC 500V for 1 minute
Operating Life	50,000
Material	Plastic, Metal

ORDERING DETAILS

Sunrom Part#	Ordering Page
5260	http://www.sunrom.com/m/5260