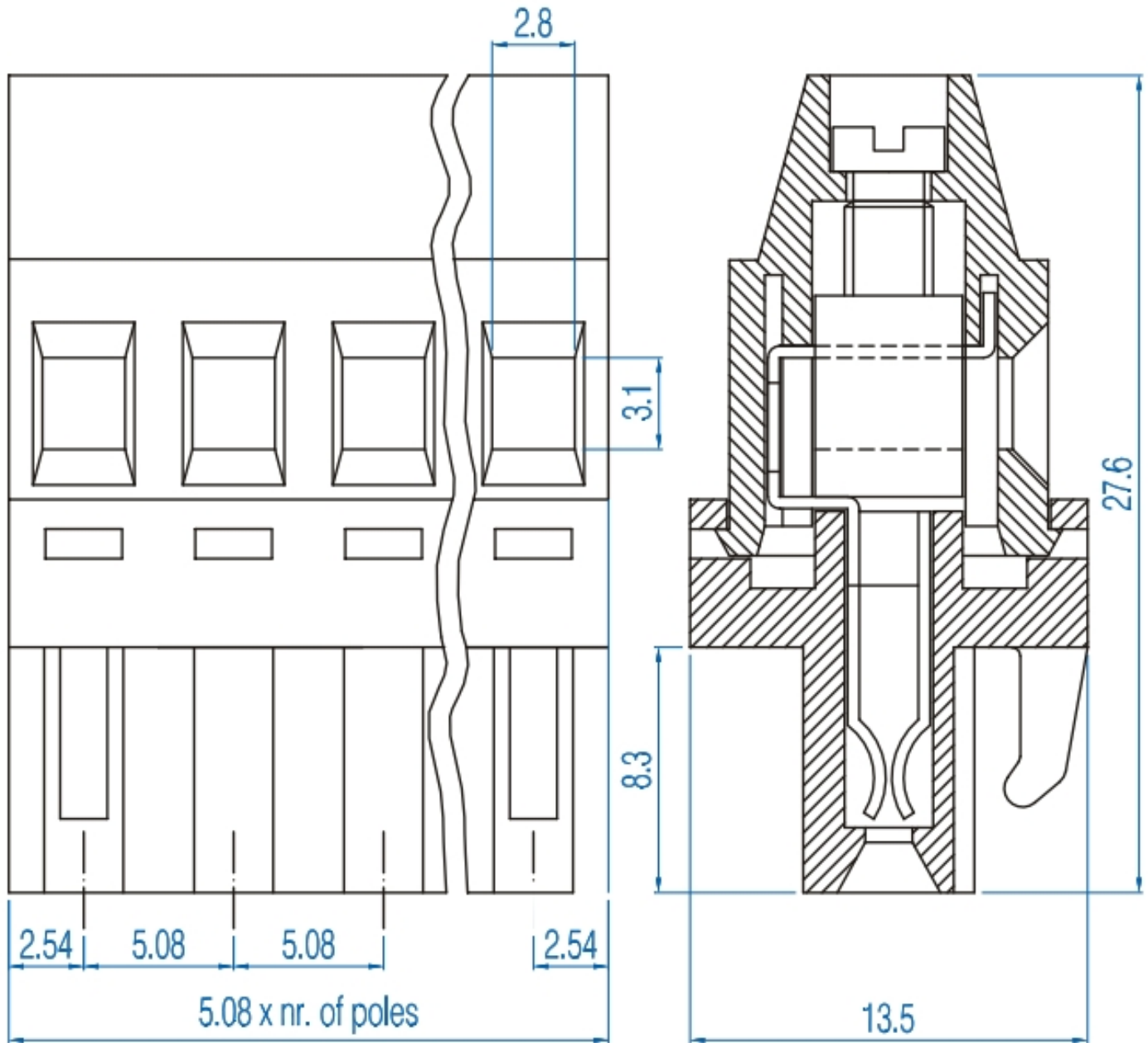


## STRAIGHT PLUGGABLE SCREW TERMINAL 5.08MM

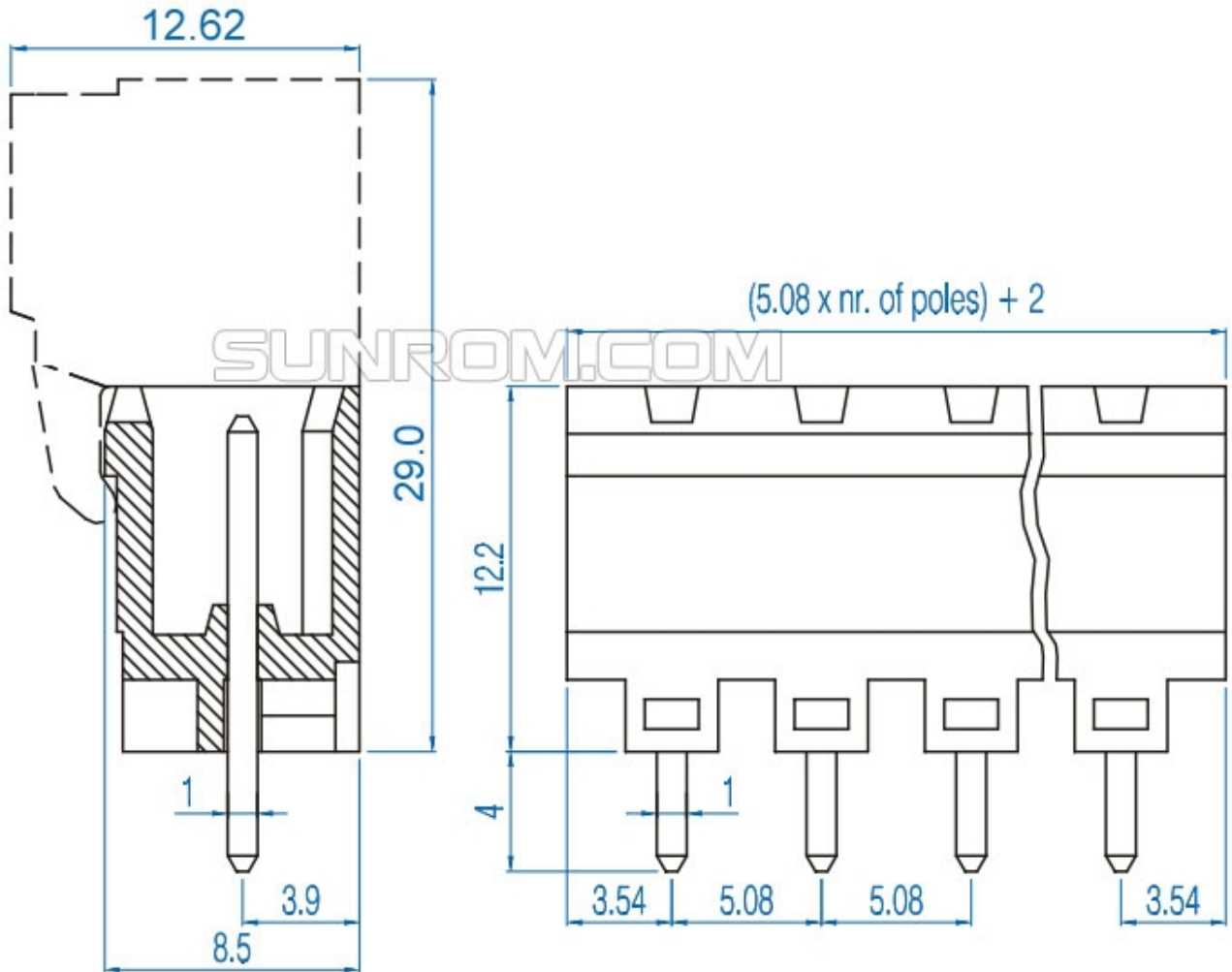
Screw terminal, Pluggable, Straight male+female in 5.08mm pitch

### DIMENSIONS FEMALE PLUG



## DIMENSIONS MALE HEADER

PCB Hole Recommended is 1.5mm



## SPECIFICATIONS

Voltage	300V
Current	12A
Wire Range	30-14 AWG / 2.5mm <sup>2</sup> Stranded / 4.0mm <sup>2</sup> Solid
Screw Size	M3
Stripping Length	9.1mm

## ORDERING DETAILS

Sunrom Part#	Pins	Ordering Page
5273	2	<a href="http://www.sunrom.com/m/5273">http://www.sunrom.com/m/5273</a>
5274	3	<a href="http://www.sunrom.com/m/5274">http://www.sunrom.com/m/5274</a>
5275	4	<a href="http://www.sunrom.com/m/5275">http://www.sunrom.com/m/5275</a>