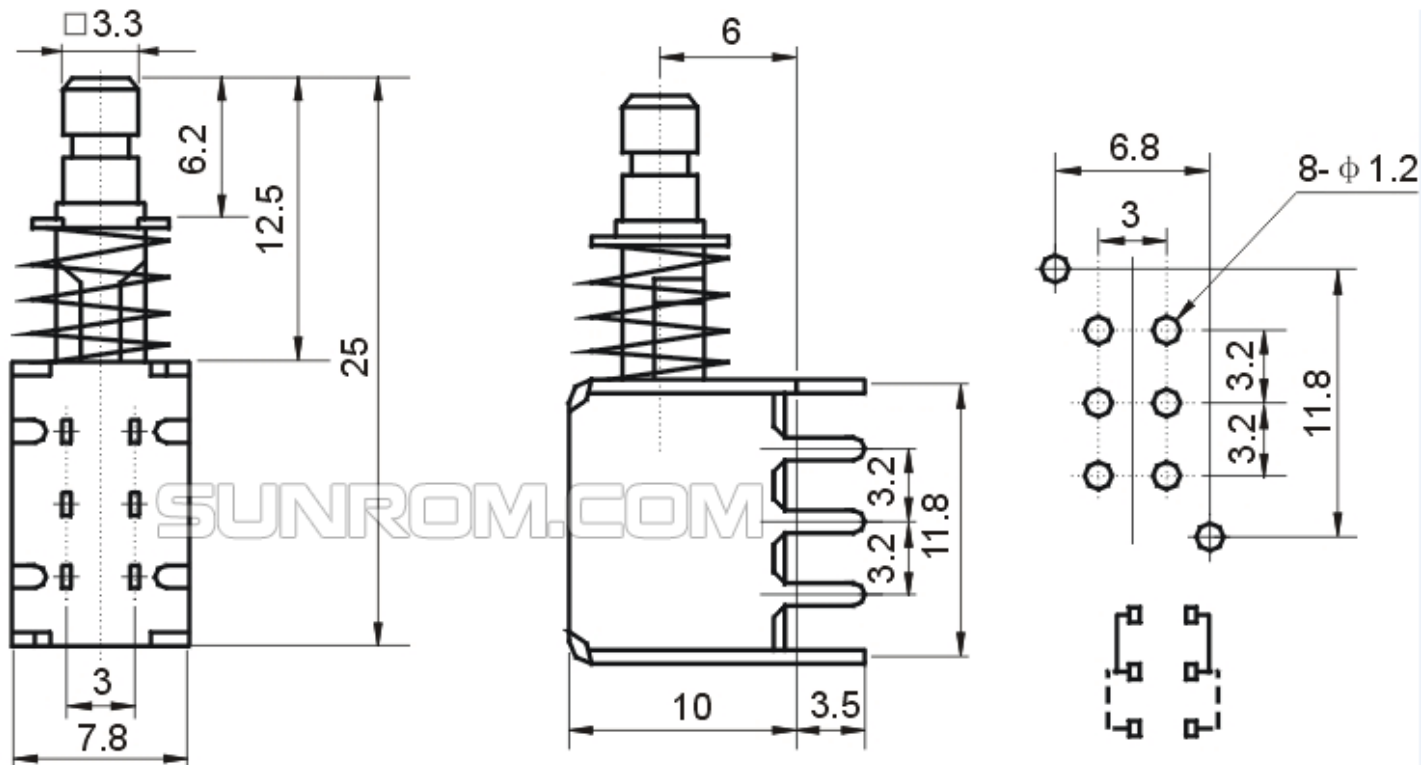


PUSH ON/OFF SWITCH HORIZ

Push to ON, Push to OFF

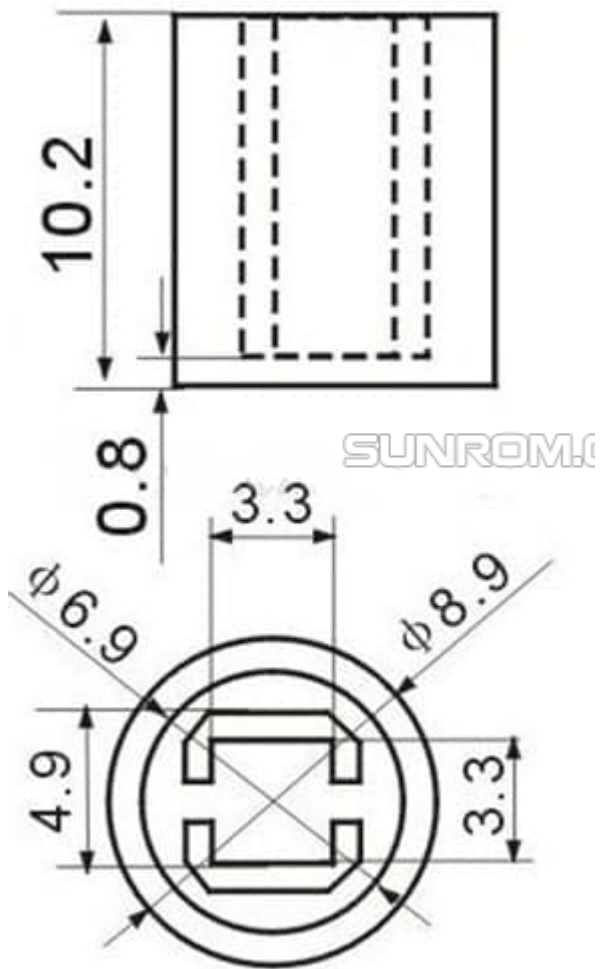
DIMENSIONS



SPECIFICATIONS

Product Name	ON OFF Switch
Contact Type	2P 2T
Current Rating	300mA
Voltage Rating	DC 50V
Contact Resistance	<30m Ohm
Dielectric Strength	500V rms for 1 minute
Operating Force	250gf

PLASTIC CAP DIMENSIONS



ORDERING DETAILS

Sunrom Part#	Type	Ordering Page
5245	Switch	http://www.sunrom.com/m/5245
5247	Cap	http://www.sunrom.com/m/5247