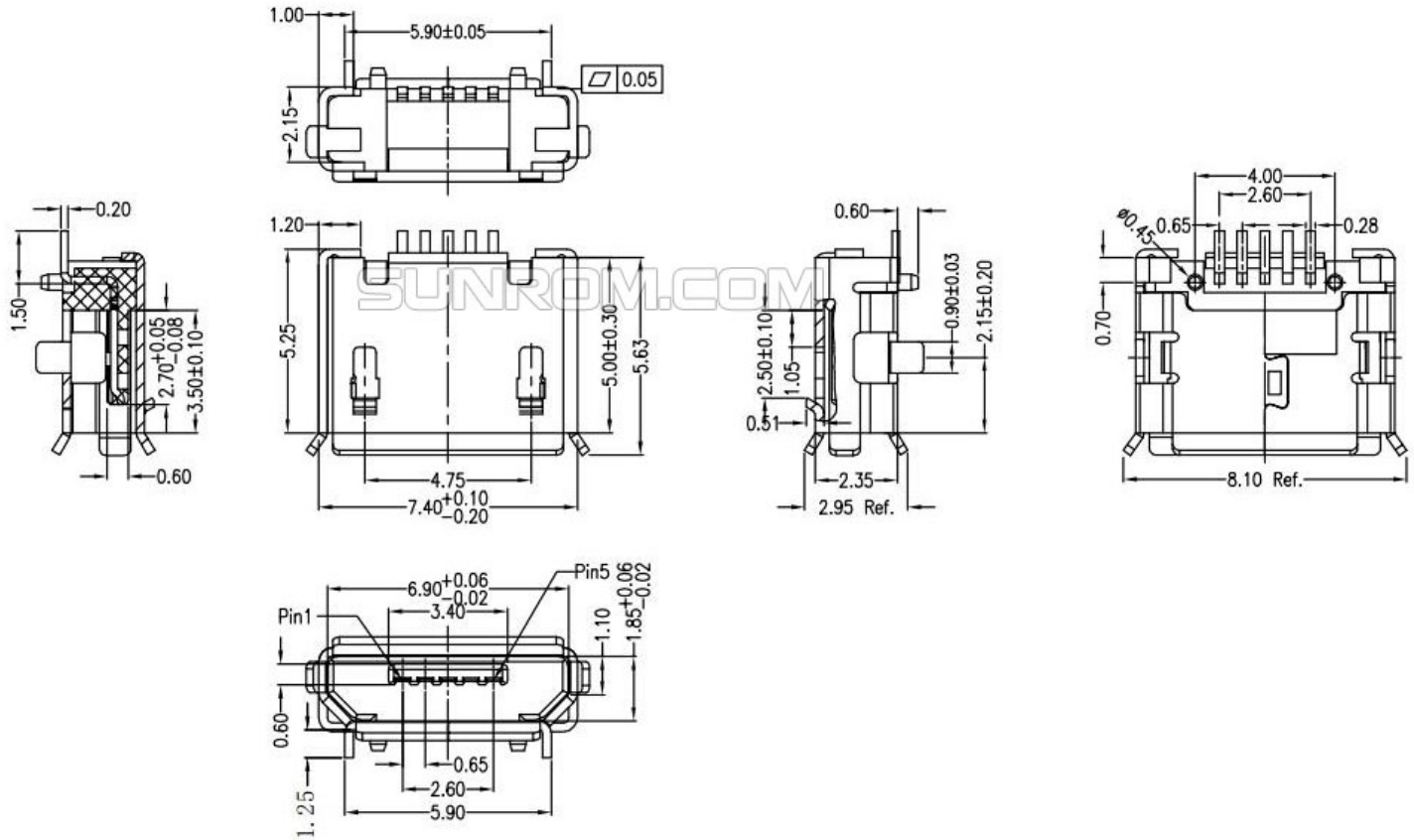
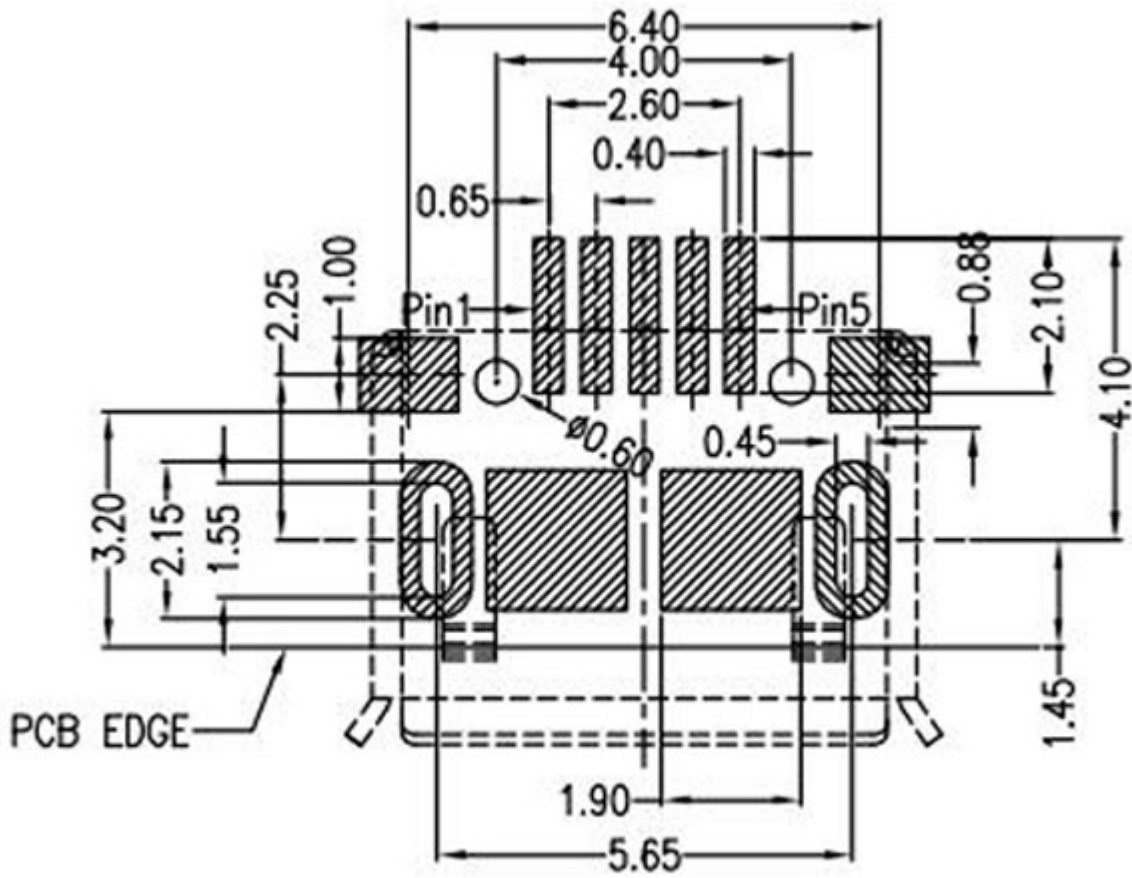


MICROUSB CONNECTOR PITCH 5.9MM

5 pin Micro USB connector with support of two through hole for sturdy mounting.

DIMENSIONS





RECOMMENDED PCB LAYOUT

ORDERING DETAILS

Sunrom Part#	Ordering Page
5213	http://www.sunrom.com/m/5213