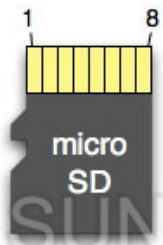
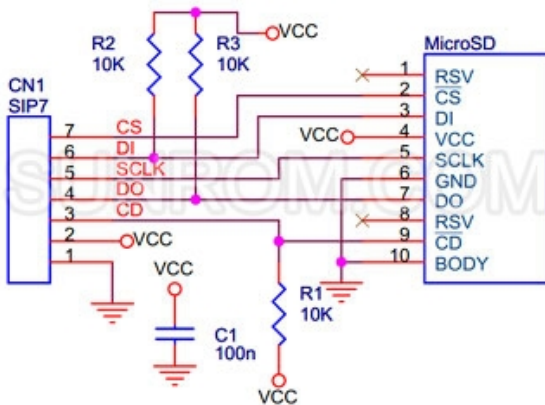


MICRO SD MEMORY CARD SOCKET

PCB Mount, Push to insert, push again to eject. Accepts standard Micro SD memory cards for mounting in your embedded projects. The Micro SD memory cards are the same memory cards used in mobile phones which are available at very low cost, making it ideal for using in embedded projects like memory card storage, audio mp3 players and such. The socket is Push-Push type, means Push to Insert / Push again to Eject.



Pin	SPI
1	X
2	CS
3	DI
4	VDD
5	SCLK
6	VSS
7	DO
8	X



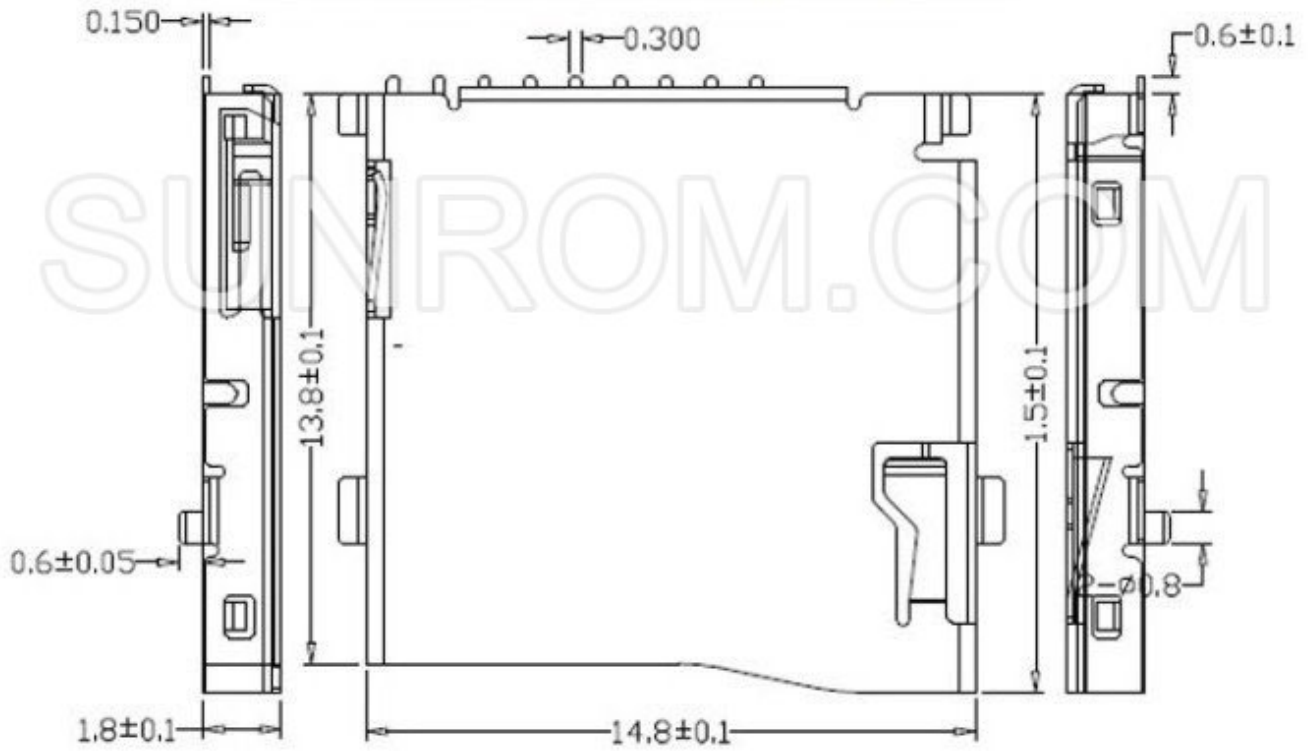
Pin#9 = Card Detect pin

A) When card inserted this pin becomes connected to Body which is usually grounded.

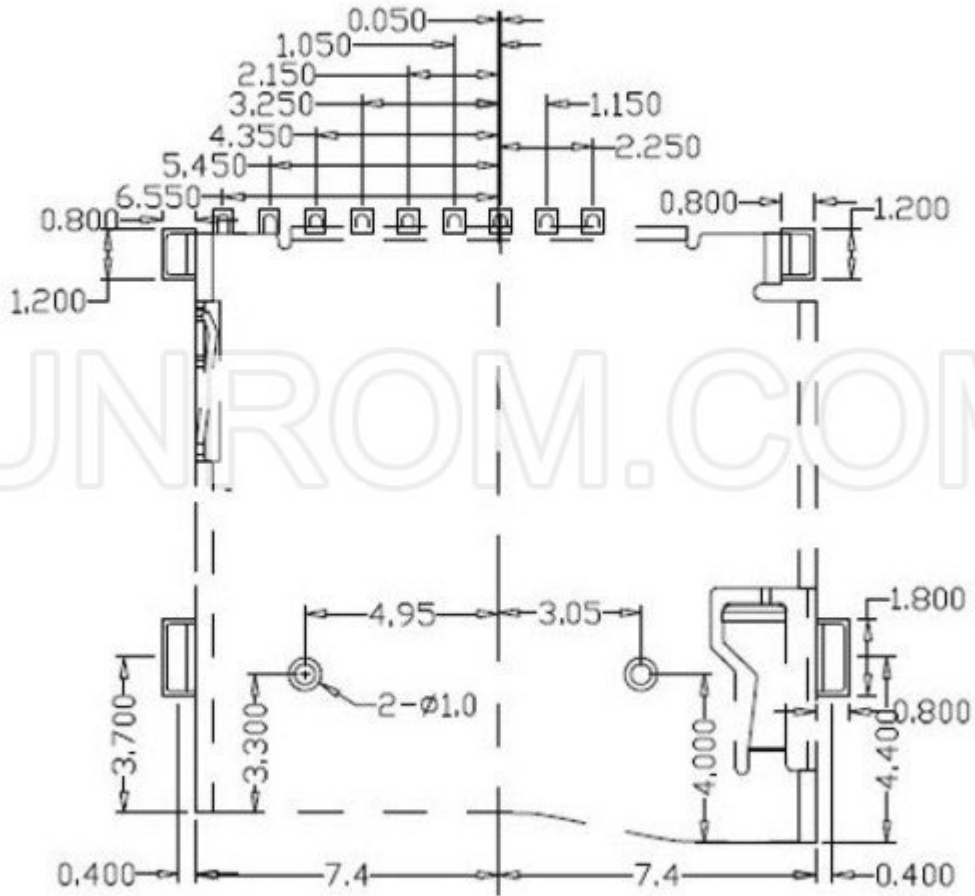
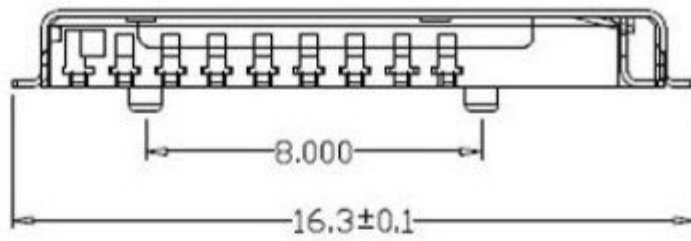
B) Without Card in socket this pin is floating. Usually a 10K pull up resistor is connected to VCC to indicate processor that card is inserted when this pin goes low.

sunrom.com
Model: 3735

This Socket with a Spring, make the Card Self-eject.



sunrom.com
Model: 3735



SUNROM.COM

sunrom.com
Model: 3735

ORDERING DETAILS

Sunrom Part#	Ordering Page
3735	http://www.sunrom.com/m/3735