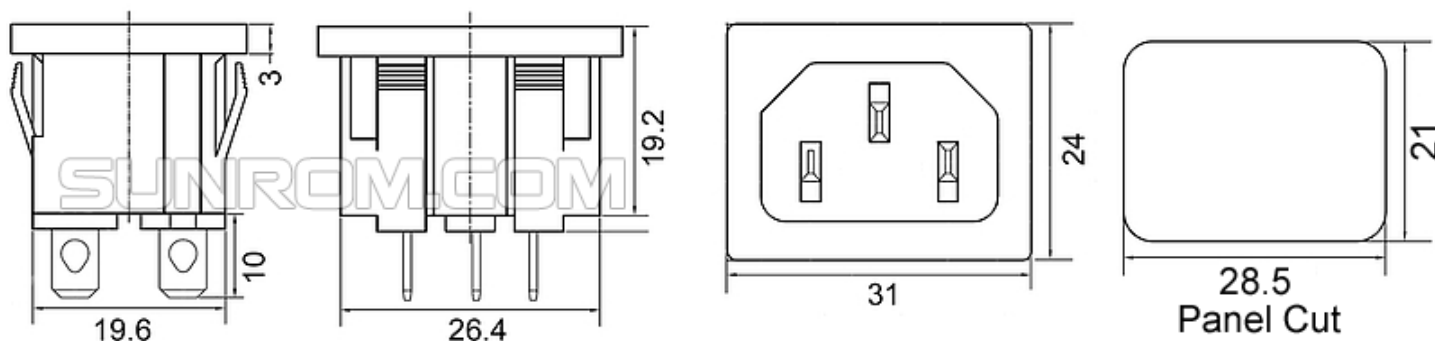


## AC POWER SOCKET - SNAP MOUNT

Chassis Mountable Power Input AC socket rated at 250V 10A, Normally these you can find on back of PC for AC power inlet. High Quality, Rated up to 2500W (250Vx10A)

### DIMENSIONS



### SPECIFICATIONS

Current & voltage rating:	10Amp (VDE), 15Amp (UL, CSA), 250VAC
Product Description:	Snap mountable Inlet
Panel thickness:	NA
Permissible temperature - For soldering:	270 deg.C for 5 seconds max.
Permissible temperature - With/without load:	0 to 70deg. C
Approvals:	UL(C, US), VDE, CE
Reference Standard:	IEC 60320-1
Material - Body:	Nylon-6, 20% GF, V2
Material - Terminals:	Copper Alloy, Tin plating
Terminals:	Solder-type / Fast on 2.8/4.8/6.3X 0.8
Mounting:	Panel, Snap type
HV Breakdown test for 1 Minute:	2 KVAC
Insulation Resistance at 500 VDC:	1000 Mohms min.
Contact Resistance (Initial):	10 mohms max.

### ORDERING DETAILS

Sunrom Part#	Ordering Page
5185	<a href="http://www.sunrom.com/m/5185">http://www.sunrom.com/m/5185</a>