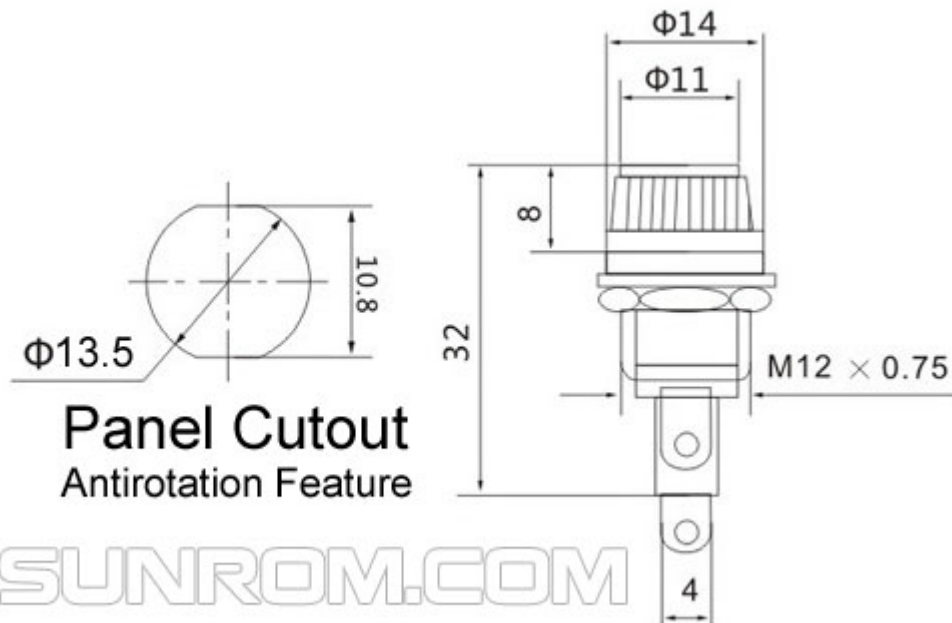


FUSE HOLDER PANEL MOUNT FOR 5X20MM FUSES

Panel Mount Fuse Holder, Suitable For M205 5x20mm Fuses

DIMENSIONS



SPECIFICATIONS

Product Name	Panel Mount Fuse Holder
Current Rating	10A / 250VAC

ORDERING DETAILS

Sunrom Part#	Ordering Page
5199	http://www.sunrom.com/m/5199