

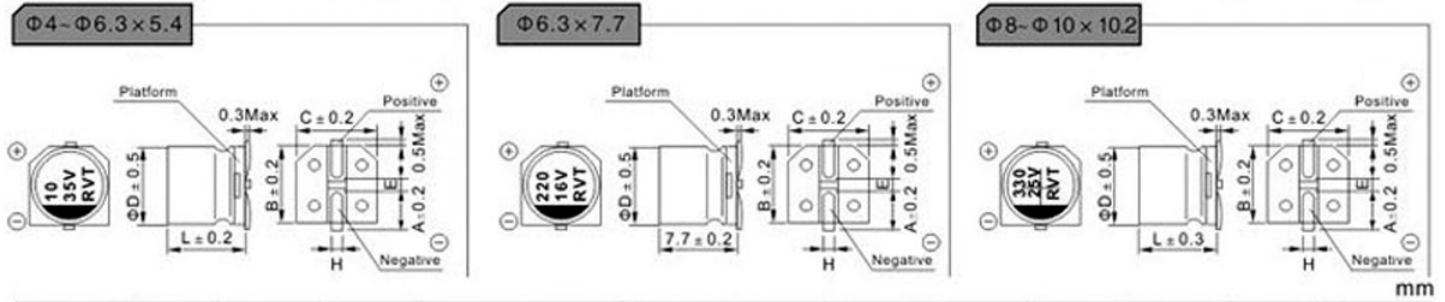
## ELECTROLYTIC CAPACITORS IN SMD PACKAGE

Reliable, Industrial Quality.

## SPECIFICATIONS

Operating temperature range	-55~+105°C																											
Rated voltage range	6.3V~100V DC																											
Nominal capacitance range	0.47~1500 μF																											
Nominal capacitance tolerance	±20% (120Hz, 20°C)																											
Leakage current (20°C)	$I \leq 0.01 C_n U_n (\mu A)$ Less than $0.01 C_n U_n (\mu A)$ or $3 \mu$ whichever is greater (after 2 minutes)																											
Dissipation factor (120Hz 20°C)	<table border="1"> <thead> <tr> <th><math>U_n(V)</math></th> <th>6.3</th> <th>10</th> <th>16</th> <th>25</th> <th>35</th> <th>50</th> <th>63</th> <th>100</th> </tr> </thead> <tbody> <tr> <td>tg δ</td> <td>0.30</td> <td>0.24</td> <td>0.20</td> <td>0.18</td> <td>0.16</td> <td>0.14</td> <td>0.14</td> <td>0.14</td> </tr> </tbody> </table>	$U_n(V)$	6.3	10	16	25	35	50	63	100	tg δ	0.30	0.24	0.20	0.18	0.16	0.14	0.14	0.14									
$U_n(V)$	6.3	10	16	25	35	50	63	100																				
tg δ	0.30	0.24	0.20	0.18	0.16	0.14	0.14	0.14																				
(120Hz) Temperature characteristics impedance ratio(120Hz)	<table border="1"> <thead> <tr> <th><math>U_n(V)</math></th> <th>6.3</th> <th>10</th> <th>16</th> <th>25</th> <th>35</th> <th>50</th> <th>63</th> <th>100</th> </tr> </thead> <tbody> <tr> <td><math>Z_{-25^\circ C}/Z_{+20^\circ C}</math></td> <td>4</td> <td>3</td> <td>2</td> <td>2</td> <td>2</td> <td>2</td> <td>2</td> <td>3</td> </tr> <tr> <td><math>Z_{-40^\circ C}/Z_{+20^\circ C}</math></td> <td>10</td> <td>8</td> <td>6</td> <td>4</td> <td>3</td> <td>3</td> <td>3</td> <td>4</td> </tr> </tbody> </table>	$U_n(V)$	6.3	10	16	25	35	50	63	100	$Z_{-25^\circ C}/Z_{+20^\circ C}$	4	3	2	2	2	2	2	3	$Z_{-40^\circ C}/Z_{+20^\circ C}$	10	8	6	4	3	3	3	4
$U_n(V)$	6.3	10	16	25	35	50	63	100																				
$Z_{-25^\circ C}/Z_{+20^\circ C}$	4	3	2	2	2	2	2	3																				
$Z_{-40^\circ C}/Z_{+20^\circ C}$	10	8	6	4	3	3	3	4																				
Load life	<p>After applying rated voltage for 1000 hours at +105°C and then resumed 16 hours, the capacitor shall meet the following limits.</p> <table border="1"> <tbody> <tr> <td>Capacitance change</td> <td>≤ ±30% of initial measured value</td> </tr> <tr> <td>Leakage</td> <td>≤ Initial specified value</td> </tr> <tr> <td>Dissipation factor</td> <td>≤ 300% of initial specified value</td> </tr> </tbody> </table>	Capacitance change	≤ ±30% of initial measured value	Leakage	≤ Initial specified value	Dissipation factor	≤ 300% of initial specified value																					
Capacitance change	≤ ±30% of initial measured value																											
Leakage	≤ Initial specified value																											
Dissipation factor	≤ 300% of initial specified value																											
Shelf life	<p>After storage for 1000 hours at +105°C and then resumed 16 hours, the capacitor shall meet the following limits.</p> <table border="1"> <tbody> <tr> <td>Capacitance change</td> <td>≤ ±30% of initial measured value</td> </tr> <tr> <td>Leakage</td> <td>≤ 200% of initial specified value</td> </tr> <tr> <td>Dissipation factor</td> <td>≤ 300% of initial specified value</td> </tr> </tbody> </table>	Capacitance change	≤ ±30% of initial measured value	Leakage	≤ 200% of initial specified value	Dissipation factor	≤ 300% of initial specified value																					
Capacitance change	≤ ±30% of initial measured value																											
Leakage	≤ 200% of initial specified value																											
Dissipation factor	≤ 300% of initial specified value																											
Resistance to soldering heat	<p style="text-align: right; font-size: 2em; opacity: 0.5;">SUNROM.COM</p> <p>The capacitors shall be kept on the hot plate maintained at 250°C for 30 seconds. After removing from the hot plate and restored at room temperature, then meet the following requirement.</p> <table border="1"> <tbody> <tr> <td>電容量變化率 Capacitance change</td> <td>≤ ±10% of initial measured value</td> </tr> <tr> <td>漏電流值 Leakage</td> <td>≤ Initial specified value</td> </tr> <tr> <td>損耗角正切值 Dissipation factor</td> <td>≤ Initial specified value</td> </tr> </tbody> </table>	電容量變化率 Capacitance change	≤ ±10% of initial measured value	漏電流值 Leakage	≤ Initial specified value	損耗角正切值 Dissipation factor	≤ Initial specified value																					
電容量變化率 Capacitance change	≤ ±10% of initial measured value																											
漏電流值 Leakage	≤ Initial specified value																											
損耗角正切值 Dissipation factor	≤ Initial specified value																											

Dimensions & Marking



ΦD	A	B	C	E	L	H
4.0	1.8	4.3	4.3	1.0	5.4	0.5~0.8
5.0	2.1	5.3	5.3	1.3	5.4	0.5~0.8
6.3	2.4	6.6	6.6	2.1	5.4	0.5~0.8
6.3	2.4	6.6	6.6	2.1	7.7	0.5~0.8
8.0	2.9	8.3	8.3	3.1	6.5	0.5~0.8
8.0	2.9	8.3	8.3	3.1	10.3	0.8~1.1
10.0	3.2	10.3	10.3	4.2	10.3	0.8~1.1

Nominal capacitance, rated voltage, rated ripple current and case size table

V	6.3		10		16		25		35		50		63		100		
	μF (E6)	D×Lmm	1~	D×Lmm	1~	D×Lmm	1~	D×Lmm	1~	D×Lmm	1~	D×Lmm	1~	D×Lmm	1~	D×Lmm	1~
0.47											4×5.4	4.0	4×5.4	3.7			
1											4×5.4	8.0	4×5.4	7.2	4×5.4	7.2	
2.2											4×5.4	12	4×5.4	12	6.3×5.4	15	
3.3									4×5.4	14	4×5.4	14	5×5.4	14	6.3×5.4	22	
4.7							4×5.4	14	4×5.4	15	4×5.4	14	5×5.4	17	6.3×5.4	23	
10					4×5.4	17	4×5.4	15	4×5.4	15	5×5.4	17	6.3×5.4	22	6.3×5.4	38	
22	4×5.4	22	4×5.4	21	4×5.4	21	5×5.4	26	6.3×5.4	40	6.3×7.7	25	6.3×7.7	41	8×10.2	80	
33	5×5.4	28	5×5.4	26	5×5.4	28	6.3×5.4	37	6.3×5.4	40	6.3×5.4	43	6.3×7.7	26	6.3×7.7	38	
47	4×5.4	23	4×5.4	23	5×5.4	29	5×5.4	30	6.3×5.4	45	6.3×7.7	63	8×10.2	116	10×10.2	136	
100	5×5.4	28	5×5.4	34	6.3×5.4	45	6.3×5.4	45	8×6.5	86	6.3×7.7	63	8×10.2	116	10×10.2	136	
150	4×5.4	26	5×5.4	31	5×5.4	33	6.3×5.4	49	6.3×5.4	54	8×10.2	125	10×10.2	168	10×10.2	148	
220	5×5.4	34	6.3×5.4	42	6.3×5.4	48	8×6.5	93	6.3×7.7	75	6.3×7.7	66	8×10.2	125			
330	6.3×5.4	40	5×5.4	40	6.3×5.4	63	6.3×7.7	93	6.3×7.7	87	8×10.2	146	10×10.2	200			
470	6.3×5.4	52	6.3×5.4	55	8×6.5	125	8×6.5	93	8×10.2	125	10×10.2	178					
680	6.3×5.4	56	6.3×5.4	65	6.3×7.7	100	8×10.2	148	8×10.2	158	10×10.2	178					
1000	6.3×5.4	69	6.3×7.7	110	6.3×7.7	110	8×10.2	183	8×10.2	195	10×10.2	230					
1500	6.3×7.7	108	8×6.5	110	8×6.5	110			10×10.2	230							
	6.3×7.7	108	8×10.2	108	8×10.2	201	8×10.2	228	10×10.2	247							
	6.3×7.7	125	8×10.2	214	8×10.2	240	10×10.2	286									
	8×10.2	214	10×10.2	266	10×10.2	300											
	8×10.2	214	10×10.2	277	10×10.2	322											
	8×10.2	235															
	10×10.2	310	10×10.2	320	10×10.2	347											
	10×10.2	320															

1~ Rated ripple current (mA, 105°C, 120Hz)

Frequency coefficient of rated ripple current

Frequency	50Hz	120Hz	300Hz	1KHz	≧ 10KHz
Coefficient	0.70	1.00	1.17	1.36	1.50

## ORDERING DETAILS

Sunrom Part#	Part	Ordering Page
4914	100uF 16V 6.3x5.4mm	<a href="http://www.sunrom.com/m/4914">http://www.sunrom.com/m/4914</a>
4007	100uF 35V 6.3x7.7mm	<a href="http://www.sunrom.com/m/4007">http://www.sunrom.com/m/4007</a>
3949	220uF 50V 10x10.2mm	<a href="http://www.sunrom.com/m/3949">http://www.sunrom.com/m/3949</a>