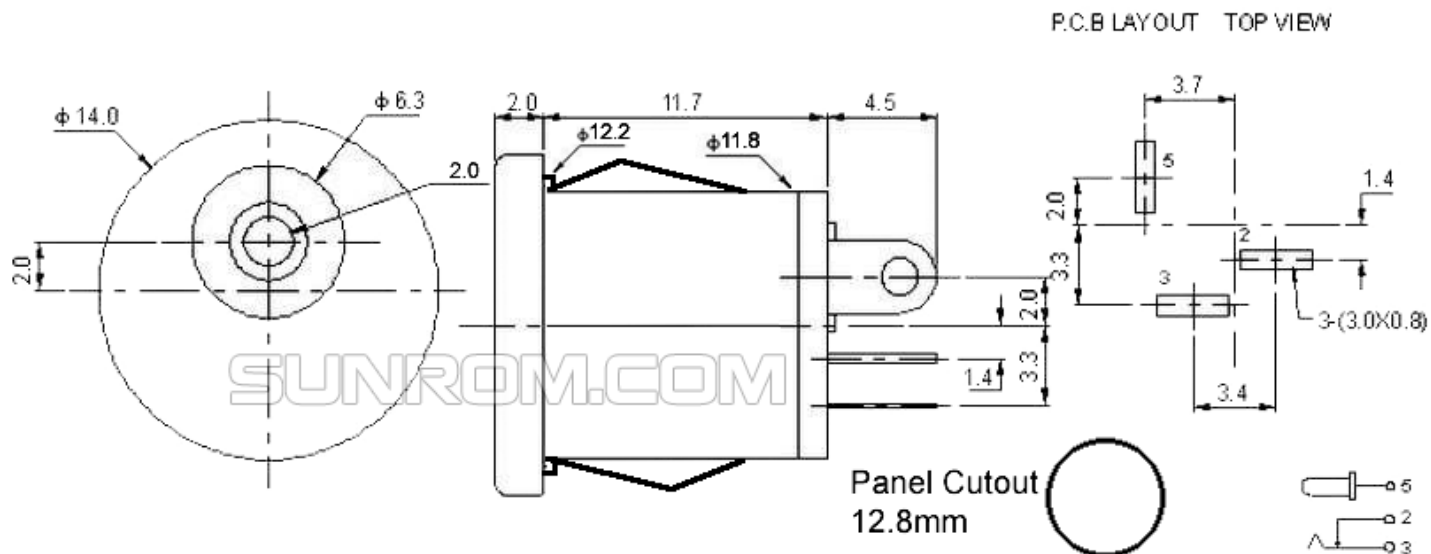


DC SOCKET - PANEL MOUNT SUITABLE FOR 5.5X2.1MM DC PINS

Snap Fit, Good quality, common barrel-type power socket for DC power supplies.

DIMENSIONS



SPECIFICATIONS

Product Name	DC Socket Panel Mount
Power Rating	1A @ 30VDC
Contact Resistance	< 0.03 ohms
Insulation Resistance	100 M Ohms
Operating Temperature	-40 to +55 deg C
Withstanding Voltage	AC 500V for 1 minute

ORDERING DETAILS

Sunrom Part#	Ordering Page
5050	http://www.sunrom.com/m/5050