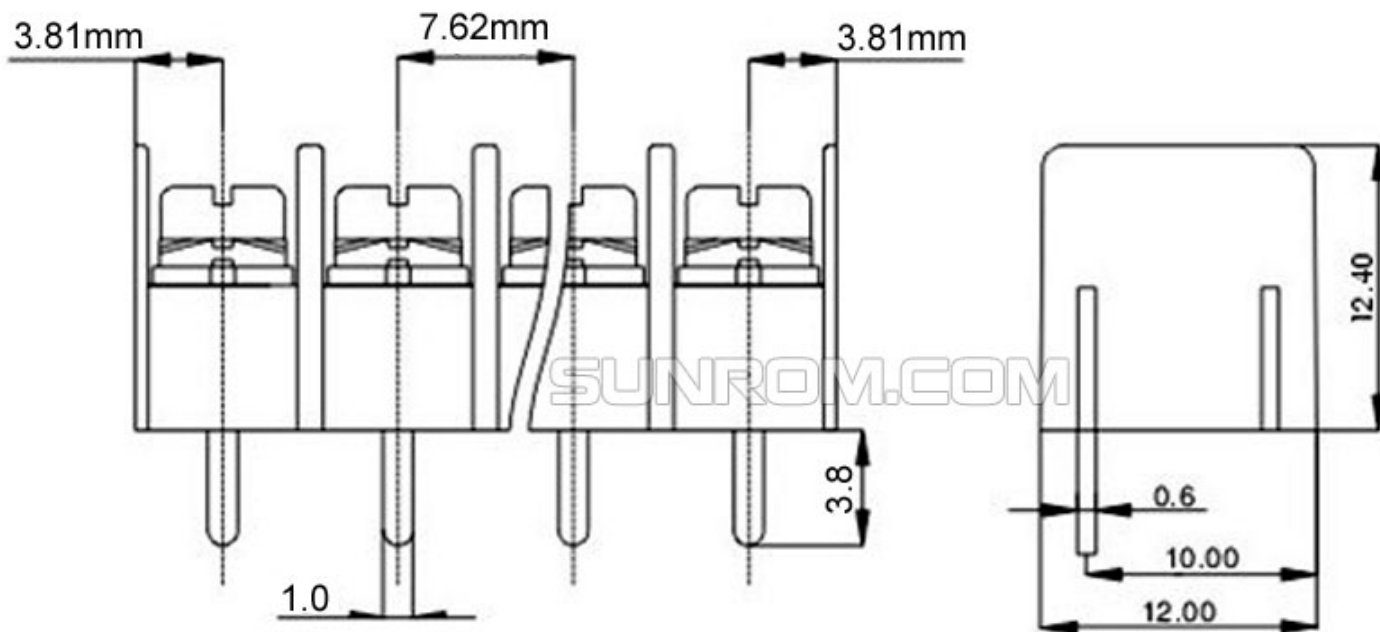


SCREW TERMINAL 7.62MM

Board to Wire, PCB Mount, 300V 20A Rating, Stackable

DIMENSIONS



SPECIFICATIONS

Product Name	Screw Terminal
Pitch	7.62mm
Color	Green
Torque	0.2Nm
Strip Length	6mm
Rated Voltage	300V
Rated Current	20A
Insulation Resistance	500M Ohm/1000V
Contact Resistance	20 milliohm
Withstanding Voltage	1500V/1min
Wire Range	22-12 AWG
Screw	M3 Steel, Ni plated
Terminal	Brass, Tin Plated
Housing	PA66, UL94V-0
Temperature	-40 degC to +105 degC
Max Torque Value	8 kg.cm

ORDERING DETAILS

Sunrom Part#	Poles	Ordering Page
4886	2P	http://www.sunrom.com/m/4886
5074	3P	http://www.sunrom.com/m/5074