

## BATTERY HOLDER FOR CR2032 - METAL

Single Cell Battery Holder - Mounts Directly on PCB and needs a PCB Pad to ground the battery terminal. This space saving design allows components to be placed under the holder. This is ideal when board space is more important than board height. Suitable for 3 Volt coin cell batteries like CR2032.

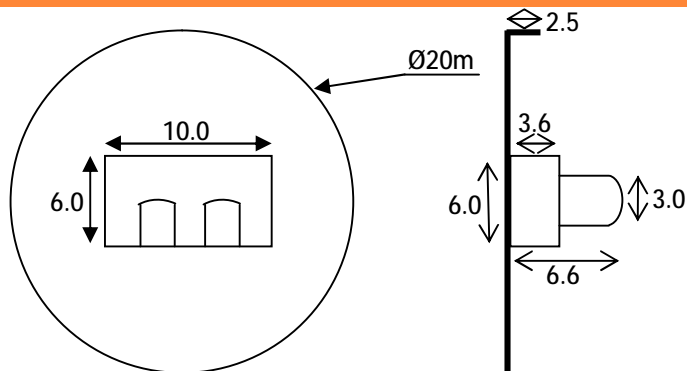
### FEATURES

- Low profile for high density packaging
- Reliable spring tension assures low contact resistance
- Retains battery securely to withstand shock and vibration
- Operating temperature range: -60°F to +293°F (-50°C to +145°C)
- Advanced air-flow design pattern enhances air circulation around battery.

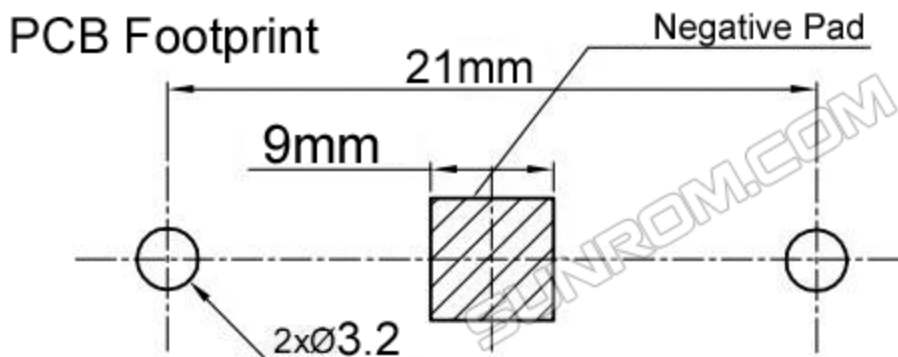
### APPLICATIONS

- RTC Clocks
- Computer memory, power transfers, and backup systems
- Video and telecommunications power back up
- Preprogrammed video and electronic games
- Microprocessors and Microcomputer memory hold (desktop and laptop apps)
- Industrial and Commercial security and alarm systems
- Communications power sources PC/104 applications

### DIMENSIONS



### PCB FOOTPRINT



## SPECIFICATIONS

Product Name	Battery Holder
Battery Type	CR2032 Coin Cell
Material	Tin Nickel Metal
Battery Size	Up to 23mm
Contact Resistance	<100m Ohm
Operating Temperature	-50°C to +145°C

## ORDERING DETAILS

Sunrom Part#	Ordering Page
3731	<a href="http://www.sunrom.com/m/3731">http://www.sunrom.com/m/3731</a>