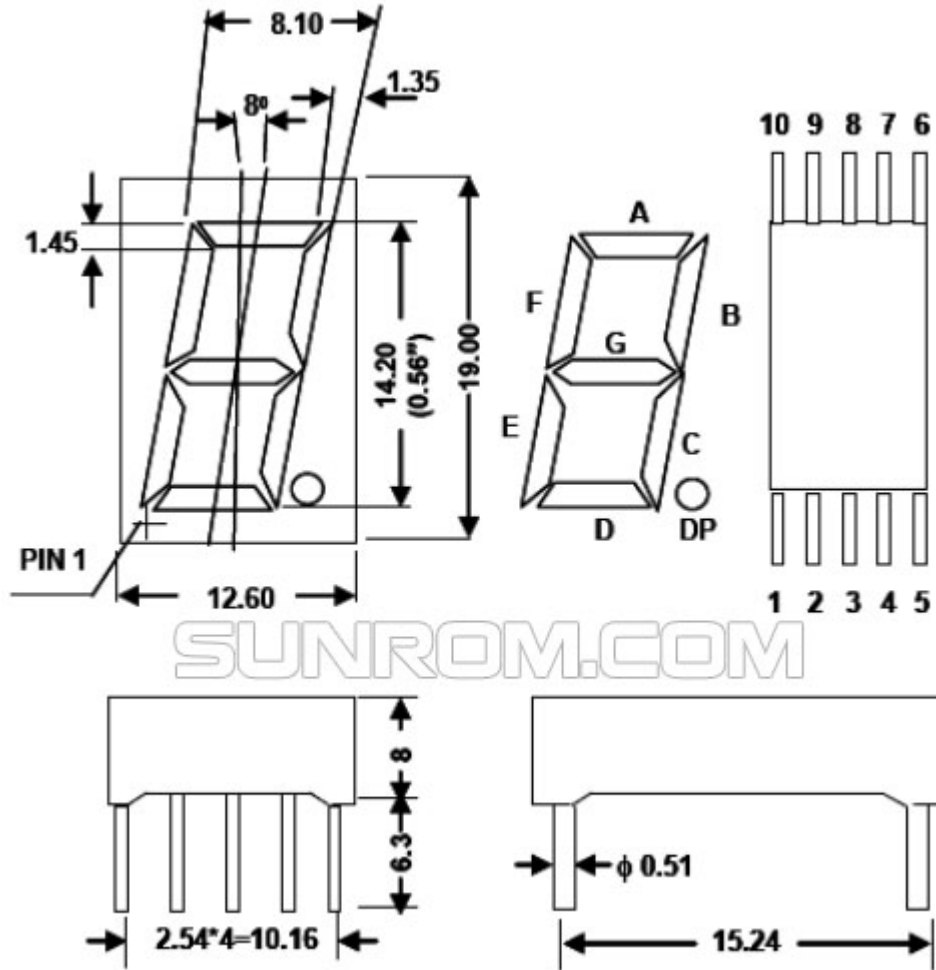


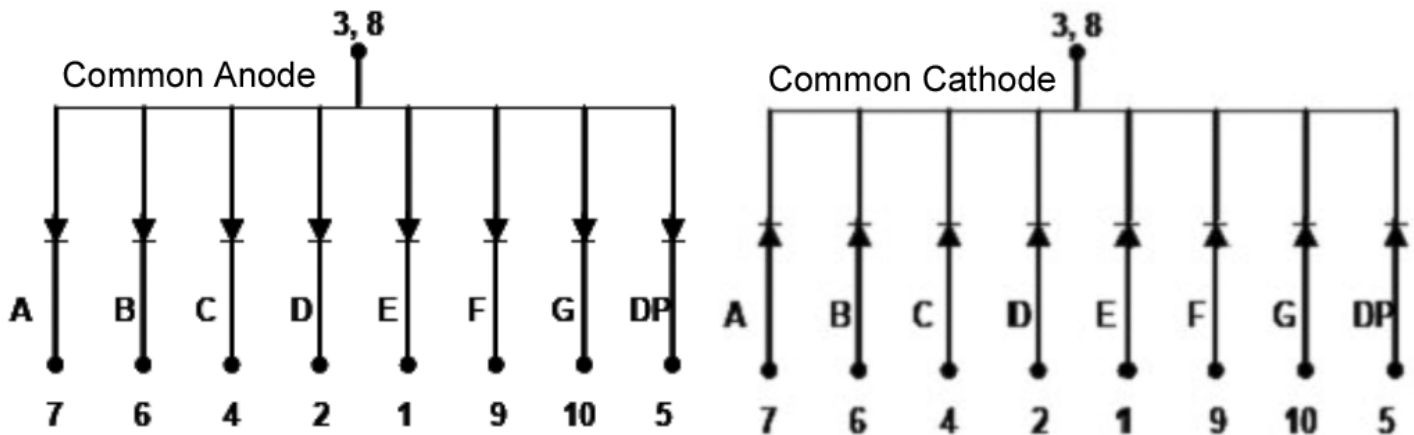
7 SEGMENT LED DISPLAY

Super Red Color, Quality made, Good for numeric readings.

DIMENSIONS (MM)



INTERNAL WIRING DIAGRAM



SPECIFICATIONS

Product Name	Single Digit 7 Segment LED Display
Digit Height	14.2mm / 0.56"
Digit Count	One
Surface Color	Black
Epoxy Color	Milky White
Emitting Color	Super Red

ABSOLUTE MAXIMUM RATING (TA=25 DEG C)

ITEM	Super red	UNIT
Power Dissipation (Pd)	40	mW
Peak Forward Current (Ifp)	100	mA
Continuous Forward Current(If)	20	mA
Reverse Voltage (Vr)	5	V
Reverse Current(Ir)	20	Ua
Operating Temperature Range(Ta)		°C
Storage Temperature Range(Tstg)		°C
Lead Solder Temperature	260 °C for 3 sec	

LED CHARACTERISTIC: (TEST CONDITION: IF=20MA)

Emitting Color	Peak Wavelength		Forward Voltage IF=20Ma (V)		Luminous Intensity IF=20Ma(mcd)
	(λp)	Δλ	Typ	Max	Max
Super red	625-640	20	1.9	2.4	100

ORDERING DETAILS

Sunrom Part#	Height	Ordering Page
4258	Common Cathode	http://www.sunrom.com/m/4258
4113	Common Anode	http://www.sunrom.com/m/4113