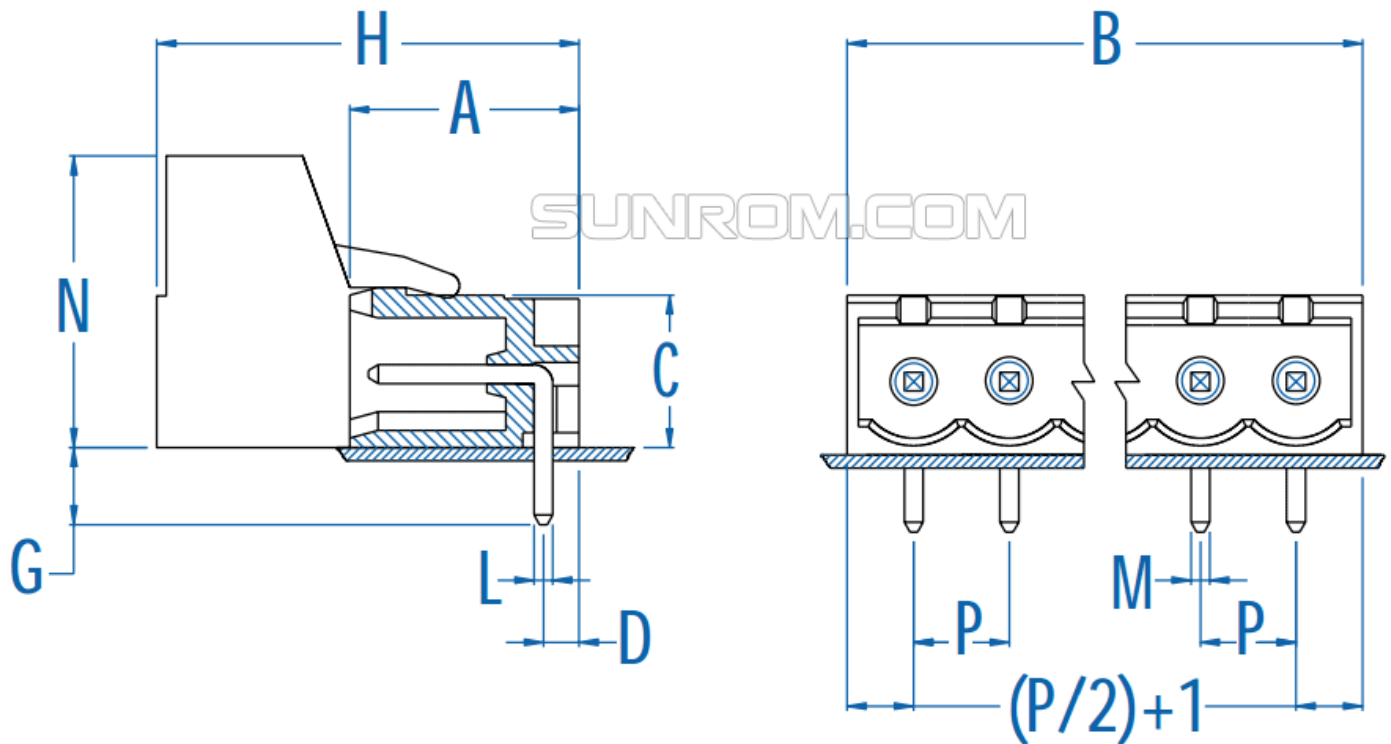


## PLUGGABLE TERMINAL 5.08MM

Screw terminal, Pluggable, Right angle Male Header and Female Plug in 5.08mm pitch

### DIMENSIONS FOR MALE PCB MOUNT HEADER



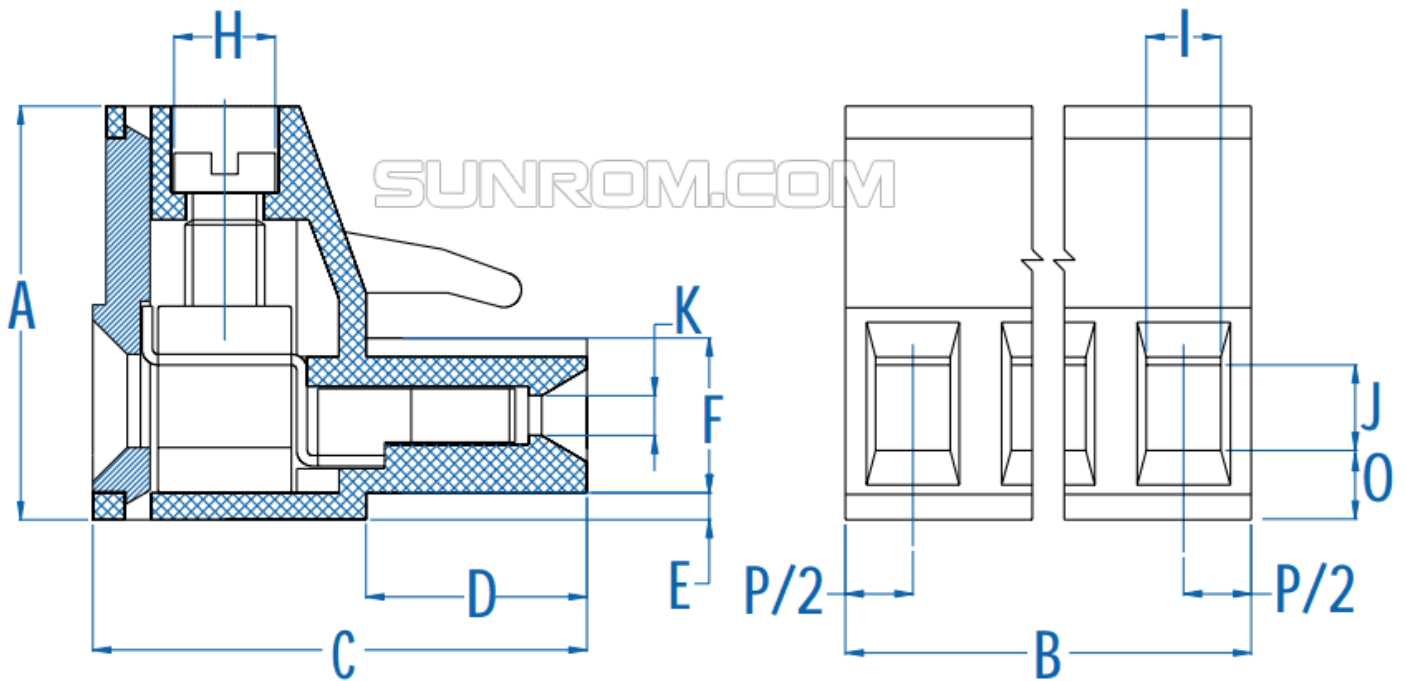
### Dimensions

A	12.20 mm	I	–
B	*	J	–
C	8.10 mm	K	–
D	1.90 mm	L	1.00 mm
E	–	M	1.00 mm
F	–	N	15.50 mm
G	4.00 mm	O	–
H	22.80 mm	P	5.08 mm

Pins	B (mm)
2	12.2
3	17.2
4	22.3

\* B=See Table

## DIMENSIONS FOR FEMALE PLUG



### Dimensions

A	15.50 mm	I	2.80 mm
B	*	J	3.10 mm
C	18.80 mm	K	Ø1.80 mm
D	8.30 mm	L	—
E	1.00 mm	M	—
F	5.70 mm	N	—
G	—	O	2.70 mm
H	Ø3.80 mm	P	5.08 mm

Pins	B (mm)
2	10.2
3	15.2
4	20.3

### SPECIFICATIONS

Voltage	300V
Current	12A
Wire Range	30-14 AWG
Screw Size	M3
Stripping Length	7.5mm

### ORDERING DETAILS

Sunrom Part#	Pins	Ordering Page
5059	2	<a href="http://www.sunrom.com/m/5059">http://www.sunrom.com/m/5059</a>
5060	3	<a href="http://www.sunrom.com/m/5060">http://www.sunrom.com/m/5060</a>
5061	4	<a href="http://www.sunrom.com/m/5061">http://www.sunrom.com/m/5061</a>