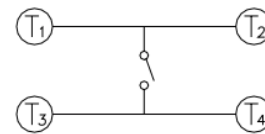
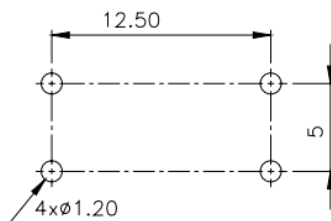
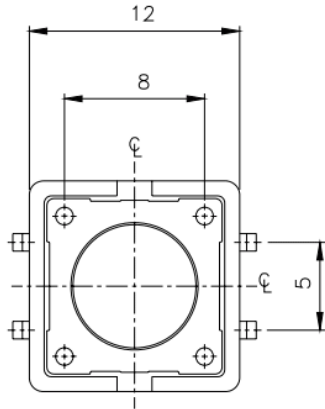


## TACTILE SWITCH 12X12MM

High precision mechanism design offers acute operation and long service life. Features momentary contact, 4 pins, black square push button, through hole mounting. Large top for comfortable switching.

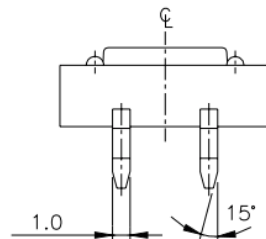
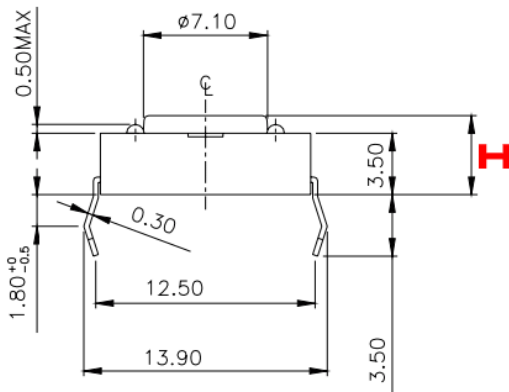
## DIMENSIONS

### 12x12mm Tactile Switches H=Height



*P.C.B. LAYOUT*

*CIRCUIT DIAGRAM*



Tolerance :  $\pm 0.2\text{mm}$

SUNROM.COM

## SPECIFICATIONS

Product Name	Tact Switch
Contact Type	Momentary Contact
Current Rating	50mA
Voltage Rating	DC 12V
Contact Resistance	<100m Ohm
Dimension	12 x 12 mm (L*W*H)
Button Diameter	7.1mm
Material	Plastic, Metal, Electric Parts
Main Color	Black, Silver Tone
Net Weight	9g

## ORDERING DETAILS

Sunrom Part#	Height	Ordering Page
4420	8mm	<a href="http://www.sunrom.com/m/4420">http://www.sunrom.com/m/4420</a>
4984	11mm	<a href="http://www.sunrom.com/m/4984">http://www.sunrom.com/m/4984</a>