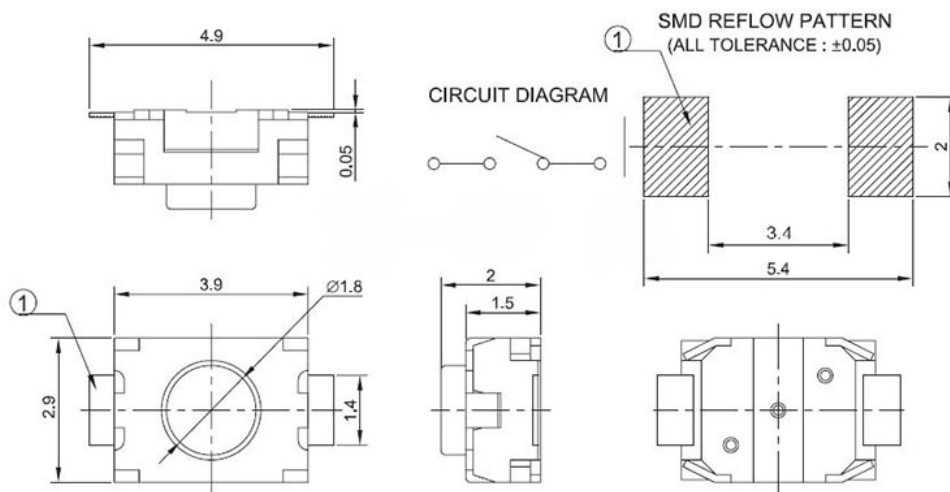


TACTILE SWITCH 3X4X2MM SMD 2-PIN

High precision mechanism design offers acute operation and long service life.

DIMENSIONS



SPECIFICATIONS

Product Name	Tactile Switch
Mounting Type	SMD
Switch Size	3 x 4 x 2mm (W*L*H)
Button Size	1 x 1.5mm (H*D)
Pin Spacing	5mm
Pin Size	1.5x1mm (L*W)
Material	Plastic, Metal, Electric Parts
Color	Black, Silver Tone
Rated Current	12V DC 0.2A
Contact Resistance	$\leq 0.03\Omega$
Insulation resistance	$\geq 100M\Omega$
Travel	0.3 \pm 0.1mm
Withstand Voltage	250V, AV/min
Switching Life	100000 Cycles
Temperature	-25~70°C

ORDERING DETAILS

Sunrom Part#	Height	Ordering Page
4982	2mm	http://www.sunrom.com/m/4982