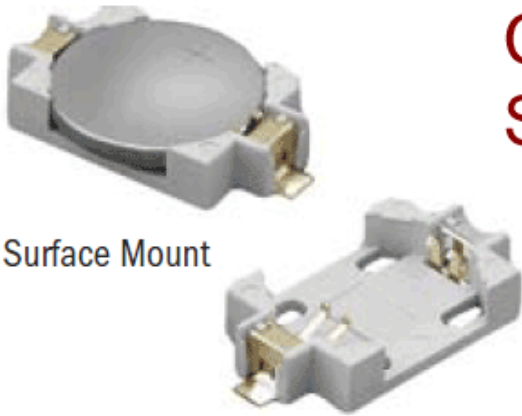


CR2032 BATTERY HOLDER SMD

High Quality, Surface Mount battery holder. Made with Dupont Zenite high impact LCP plastic resin and nickel plated phosphor bronze contacts. The CR2032 battery holder is designed to withstand shock & vibration in portable applications or rugged use. Dual beam positive and negative contacts feature sliding wipe action for a reliable intermittent free connection. CR2032 battery holder with 30% better shock resistance over previous models.

DIMENSIONS



Surface Mount

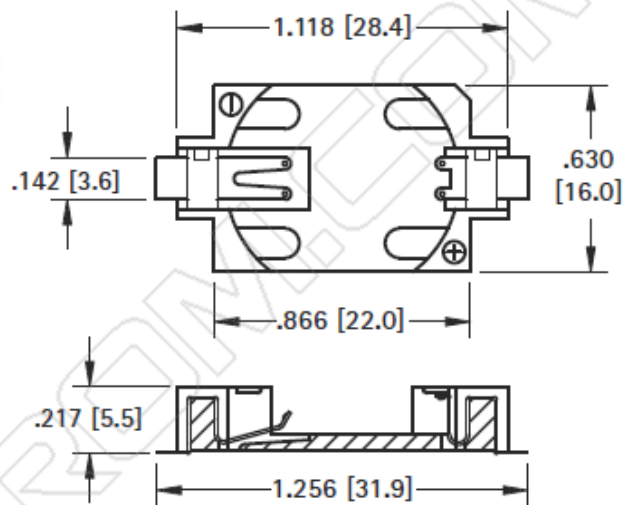
- Compatible with vacuum and mechanical pick & place assembly systems

MATERIAL:

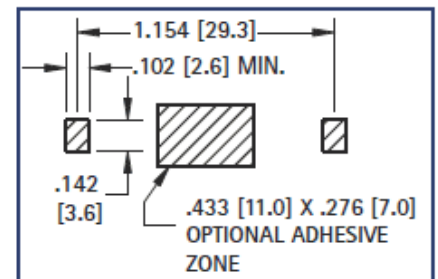
Contacts: .006 (.15) Phosphor Bronze, Gold Plate (Flash)

Base: Glass Filled LCP, UL Rated 94V-0

CR2032 Battery Holder SMD Sunrom Part# 4132



Pad Layout



Dimensions: Inch[mm]

ORDERING DETAILS

Sunrom Part#	Ordering Page
4132	http://www.sunrom.com/m/4132