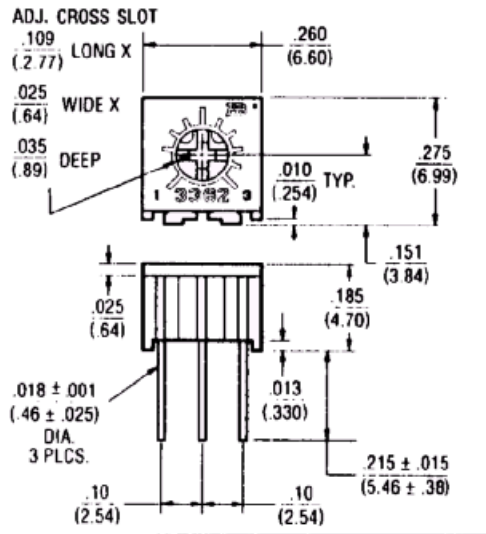
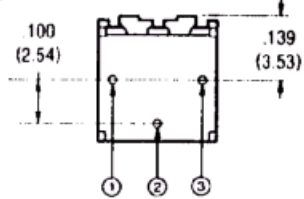


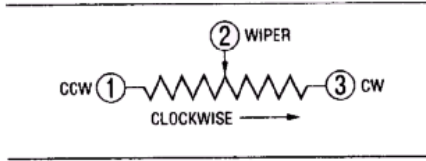
**COMMON DIMENSIONS
TOP ADJUST**



3362P



TOLERANCES: $\pm \frac{.010}{(0.25)}$ EXCEPT WHERE NOTED
 DIMENSIONS: $\frac{IN.}{(MM)}$



Standard resistance table

Resistance (Ohms)	Resistance code
100	101
200	201
500	501
1,000	102
2,000	202
5,000	502
10,000	103
20,000	203
25,000	253
50,000	503
100,000	104

1/4" Square, single turn cermet industrial sealed potentiometers

Features

- Miniature package
- Rotor designed for automatic machine adjust interface
- Multi-wire wiper to minimise CRV
- Withstands harsh environments and immersion cleaning processes

Electrical Characteristics

Standard resistance range:	10 to 2M Ω (see standard resistance table)
Resistance tolerance:	\pm 10% std. (tighter tolerances available)
Absolute minimum resistance:	1% or 2 Ω (whichever is greater)
Contact resistance variation:	1% or 3 Ω max.(whichever is greater)
Adjustability	
Voltage:	\pm 0.05%
Resistance:	\pm 0.15%
Resolution:	Infinite
Insulation resistance:	500VDC 1000m Ω minimum
Dielectric strength:	
Sea level:	900VAC
80,000 feet:	350VAC
Adjustment angle:	240° nominal

Environment characteristics

Power rating (300 volts max.)	
70°C:	0.50 Watt
125°C:	0 Watt
Temperature range:	-55°C to +125°C
Temperature coefficient:	\pm 100ppm/°C
Seal test:	85°C Fluorinert*
Humidity:	MIL-STD-202 Method 103, 96 hours
Vibration:	30G(1% Δ TR; 1% Δ V _R)
Shock:	100G(1% Δ TR; 1% Δ V _R)
Load life:	1,00 hours 0.5watt @ 70°C (3% Δ TR; 3% or 3 Ω , whichever is greater, CRV)
Rotational life:	200 cycles (4% Δ TR; 3% or 3 Ω , whichever is greater, CRV)

Physical characteristics

Mechanical angle:	270° nominal
Torque:	3.0 oz-in. maximum
Stop strength:	7.0 oz-in. minimum
Terminals:	Solderable pins
Weight:	0.02 oz
Marking:	Manufacturers trademark, resistance code, terminal numbers, manufacturers model number, style and date code.
Standard packaging:	50 pcs. per tube