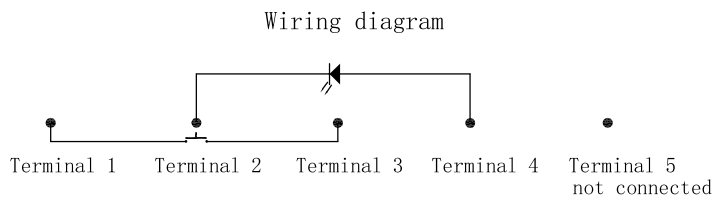
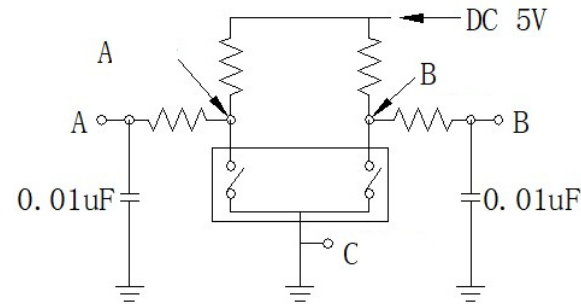
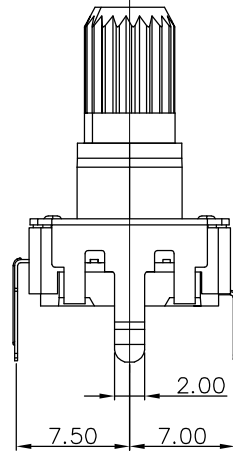
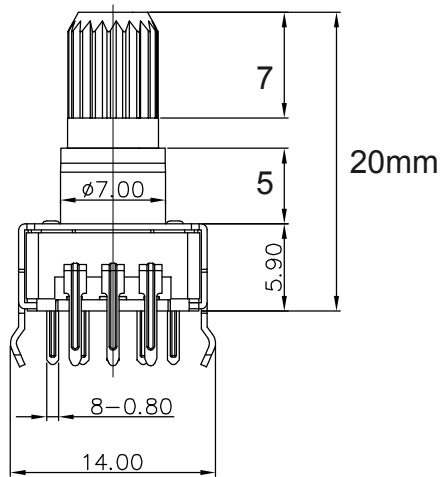
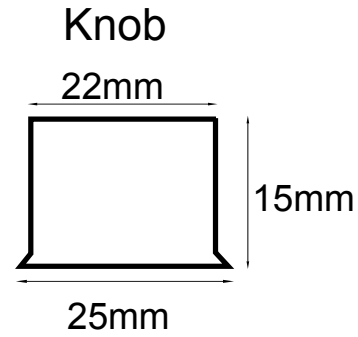


P. C. B MOUNTING DETAIL



Terminal 2 + Terminal 4 = LED
Terminal 1 + Terminal 3 = Switch

Encoder - 24 Pulse per Rotation
LED need 1K resistor at 5V operation
20mA current limit for Built in LED

PRODUCT NAME
LED Rotary Encoder EC12 Knurled Shaft 20mm with Knob 25mm

SUNROM.COM

PRODUCT URL
<https://www.sunrom.com/c/rotary-encoder>

DATE
27/04/2026