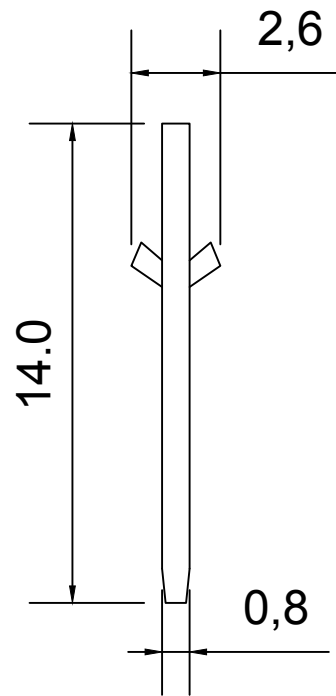


ROHS



TERMINAL:

>MATERIAL:C2680

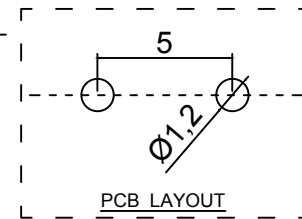
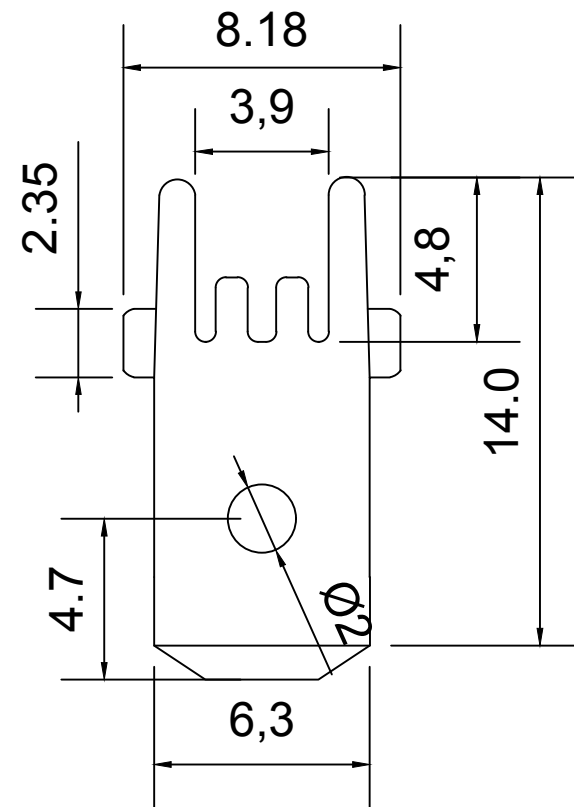
>THICKNESS:0.8mm

NOTE:

1. CURRENT RATING:20A MAX

2. VOLTAGE RANGE:220V AC.DC

3. TEMPERATURE RANGE:-20°C TO 105°C



6.3mm Support Vertical PCB Quick Disconnect Terminal Lug Connector

Product Code 7454

<https://www.sunrom.com/m/7454>