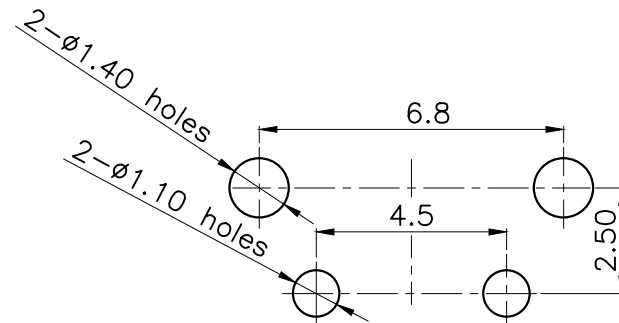
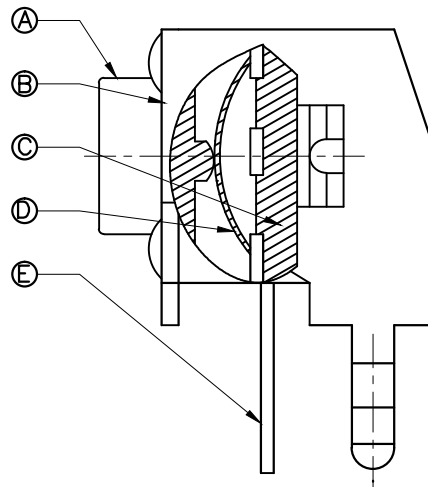
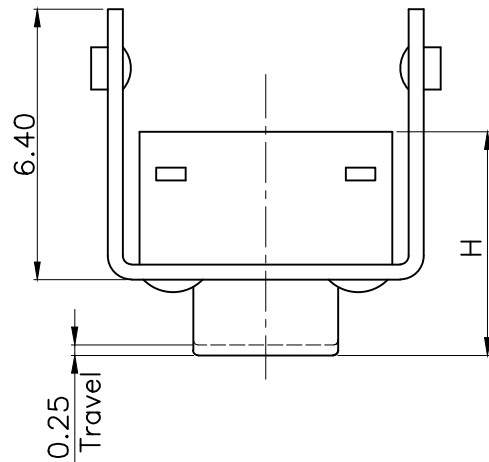
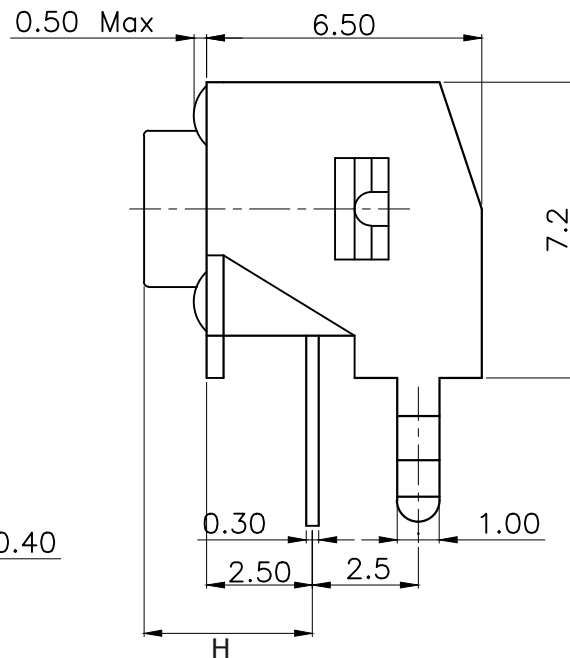
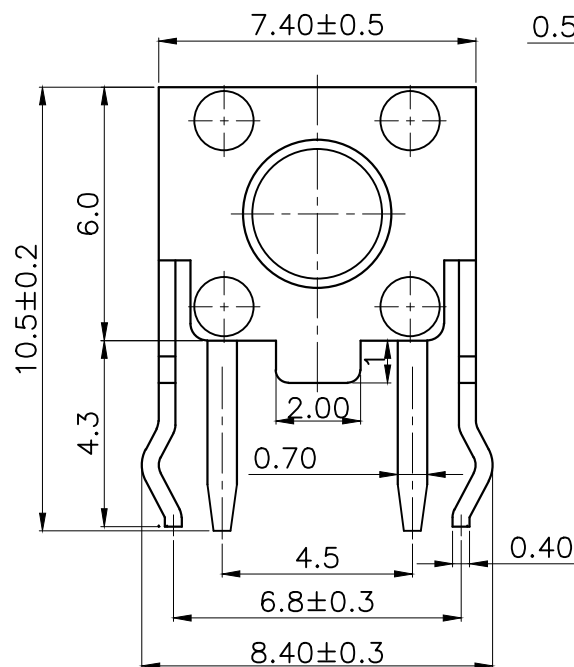
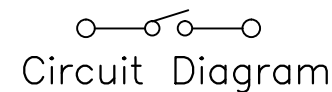


RoHS



PCB Layout (Pattern side)

OPERATING FORCE
120±30gf



⑤	Terminal		2	Brass	Silvering
④	Reed		1	SUS	Silver covered
③	Button		1	PPA	Black
②	Cover		1	SPCC	Nickel plating
①	Base		1	PPA	Black
NO.	Name	Number	Qty	Material	Remarks

Tactile Switch TH RA 6x6mm

Height in mm

- 4.3 <https://www.sunrom.com/m/7589>
- 5 <https://www.sunrom.com/m/7590>
- 6 <https://www.sunrom.com/m/7591>
- 7 <https://www.sunrom.com/m/7592>
- 8 <https://www.sunrom.com/m/7593>
- 9 <https://www.sunrom.com/m/7594>
- 10 <https://www.sunrom.com/m/7595>