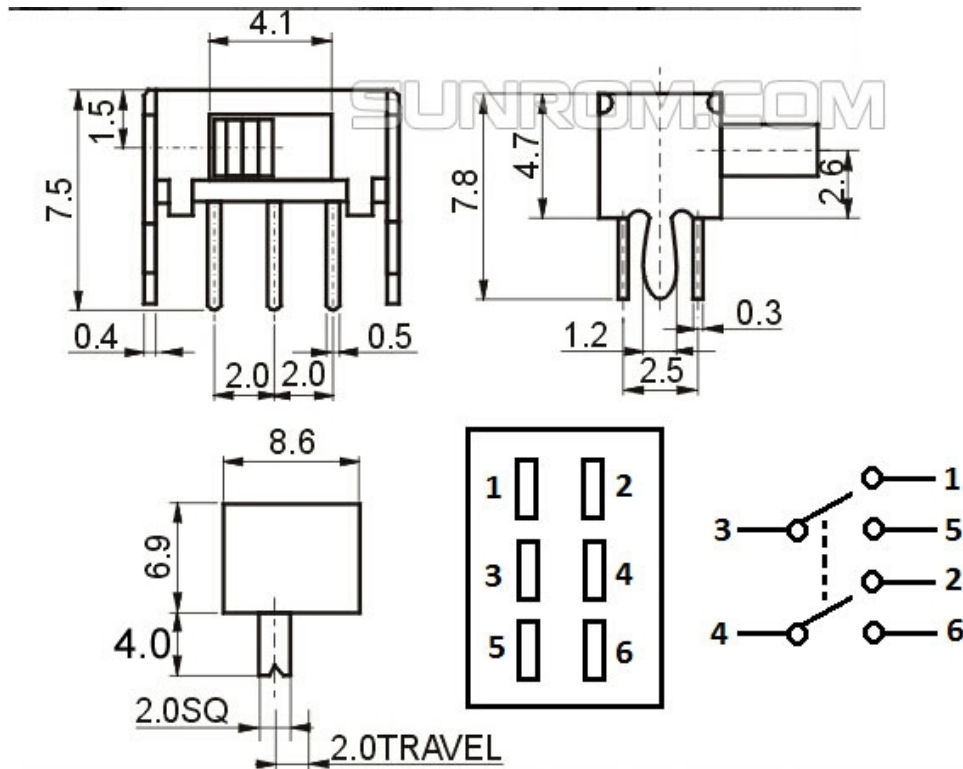


SLIDE SWITCH - 8.6MM - HORIZONTAL 2P2T

PCB Mountable Slide Switch. Double Pole, Double Throw = DPDT

This switch can be on in both positions, switching on a separate device in each case. It is often called a changeover switch. For example, a DPDT switch can be used to switch on a red lamp in one position and a green lamp in the other position. A DPDT slide switch may be used as a simple on-off switch by connecting to COM(3-4) and one of the A(1-2) or B(5-6) terminals shown in the diagram. A and B are interchangeable so switches are usually not labeled.

DIMENSIONS



SPECIFICATIONS

Product Name	Slide Switch
Contact Type	DPDT - Double Pole Double Throw
Current Rating	300mA
Voltage Rating	DC 30V
Contact Resistance	<30m Ohm
Contact	1P2T - Nickel Tin Plated
Insulation Resistance	100m ohm min for 500V DC
Proof Voltage	500V AC for 1 min.
Operating Force	150+100gf
Operating Life	50,000 cycles

ORDERING DETAILS

Sunrom Part#	Ordering Page
5262	http://www.sunrom.com/m/5262