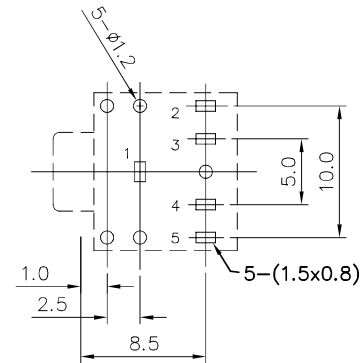
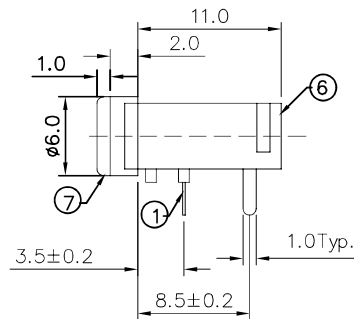
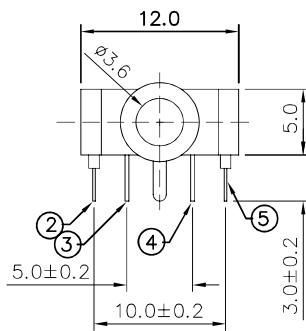
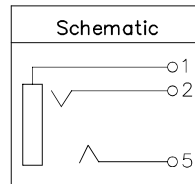


△ SPECIFICATIONS

Rating: DC 30V,0.5A
 Contact Resistance: 30 Milliohms Max.
 Insulation Resistance: 100 Megohms Min.(DC 250V)
 Withstand Voltage: 500VAC
 Insertion And Extraction Force: 3-20N
 Life Test: 5,000 Cycles



PCB Layout
Top View



No.	Description	Q'ty	Material	Plating
1	1# Contact Foot	1	Phosphor Bronze	Ag-Plating
2	2# Contact Foot	1	Aldary	Ag-Plating
3	3# Contact Foot	1	H62 Brass	Ag-Plating
4	4# Contact Foot	1	H62 Brass	Ag-Plating
5	5# Contact Foot	1	Phosphor Bronze	Ag-Plating
6	Housing	1	PBT	
7	Axis Support	1	H59 Brass	Ni-Plating

4UCON 元化興業股份有限公司
4UCON TECHNOLOGY INC.

DRAWING No.
08780

APPROVED BY
MEI
CHECKED BY
BECKY
DRAWING BY
HZF

UNLESS OTHERWISE SPECIFIED TOLERANCES ARE
.X ±0.15
.XX
ANG. ±1.5°

SCALE NONE REV. A1

UNIT mm

NO.	REV.	REVISIONS	CHK	DATE
△ A1		Modify Spec.&Material&Plating	BECKY	05/27/2005
△ A0		NEW RELEASE	BECKY	08/02/2004